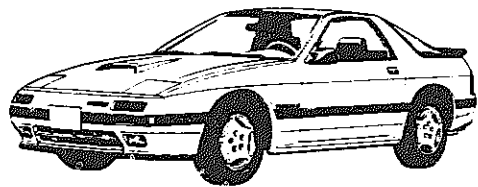


Parts Catalog

Mazda RX-7
U.S.A.
('89 ▶ '90)



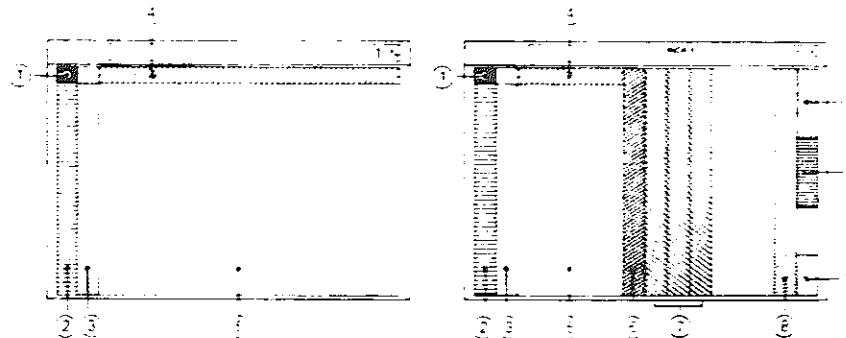
FC3-***700001 - 900000

May '92 (FINAL)
Catalog No. AU-FA02-06

MAZDA
© 1992 Mazda Motor Corporation


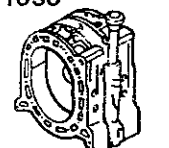

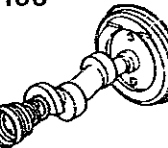


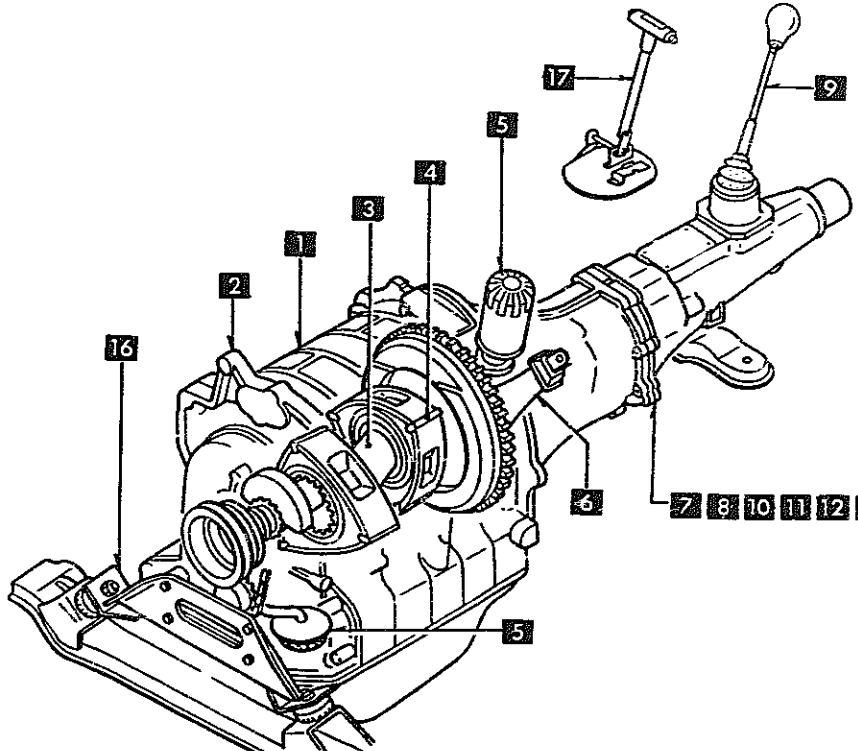
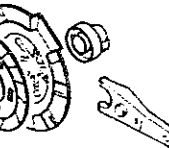
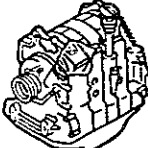
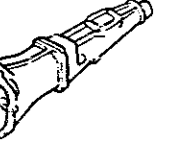

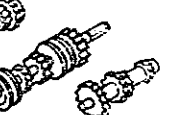
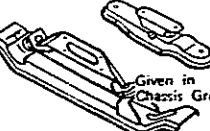
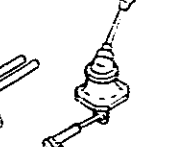
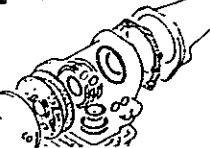
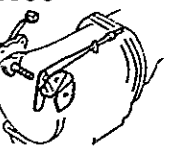
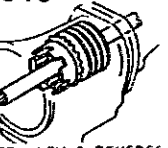
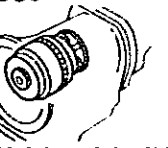

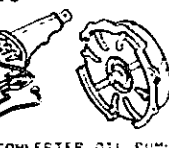
LAYOUT OF CONTENTS

The following is a typical example of the layout of contents of Mazda microfiche parts catalog.



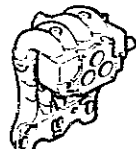


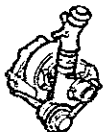

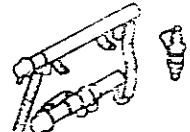
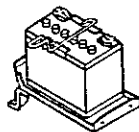
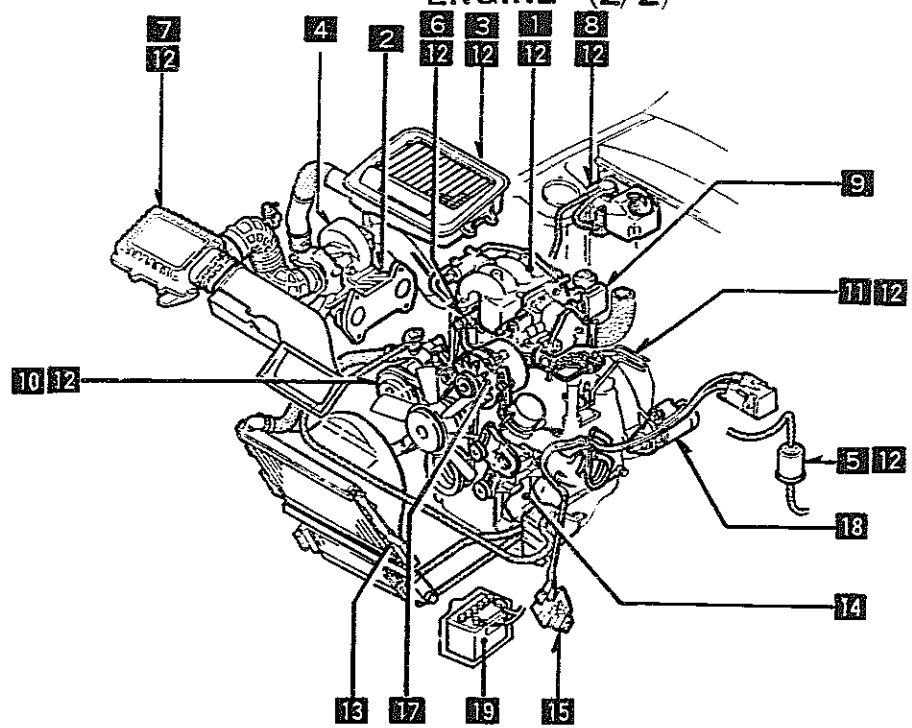
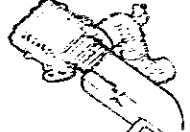
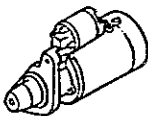
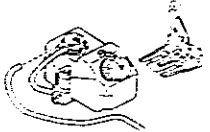



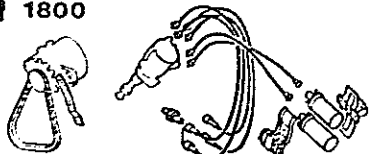
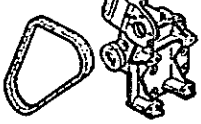
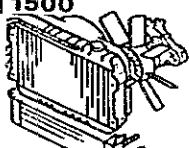


- | | | |
|---------------------------------------|--------------------------|-----------------------------------|
| 1 - Layout of contents | 2 - Pictorial Index | 3 - Master Section No. Index |
| 4 - Section No. Index for the Columns | 5 - Illustration & Text | 6 - Part No. Index |
| 7 - Alphabetical Index | 8 - Model Identification | 9 - Vehicle Identification System |

PICTORIAL INDEX

<p>1000</p>  <p>ROTOR HOUSINGS</p>	<p>1 1030</p>  <p>ROTOR HOUSINGS</p>	<p>2 1040</p>  <p>OIL PAN, FRONT & REAR HOUSING</p>	<p>3 1100</p>  <p>ECCENTRIC SHAFT & FLYWHEEL</p>	<p>4 1110</p>  <p>ROTOR & RELATED PARTS</p>	<p>5 1400</p>  <p>OIL PUMP & FITTINGS</p>	
<p>ENGINE (1/2)</p> 						<p>6 1600</p>  <p>CLUTCH DISC & COVER (MANUAL)</p>
<p>SHORT ENGINE & GASKET SETS</p> 					<p>7 1700</p>  <p>TRANSMISSION CASE (MANUAL)</p>	
<p>17 4600</p> <p>Given in Chassis Group</p>  <p>CHANGE CONTROL SYSTEM</p>					<p>8 1710</p>  <p>TRANSMISSION GEARS (MANUAL)</p>	
<p>16 3900</p> <p>Given in Chassis Group</p>  <p>ENGINE & TRANSMISSION MOUNTINGS</p>					<p>9 1720</p>  <p>CHANGE CONTROL SYSTEM (MANUAL)</p>	
<p>15 1960</p>  <p>GASKET & SEAL KIT (AUTOMATIC)</p>	<p>14 1950</p>  <p>MANUAL LINKAGE SYSTEM (AUTOMATIC)</p>	<p>13 1940</p>  <p>GOVERNOR, LOW & REVERSE PISTON (AUTOMATIC)</p>	<p>12 1930</p>  <p>CLUTCHES & PLANETARY GEARS (AUTOMATIC)</p>	<p>11 1920 1925</p>  <p>TRANSMISSION CASE & MAIN CONTROL SYSTEM (AUTOMATIC)</p>	<p>10 1910</p>  <p>TORQUE CONVERTER, OIL PUMP & PIPINGS (AUTOMATIC)</p>	

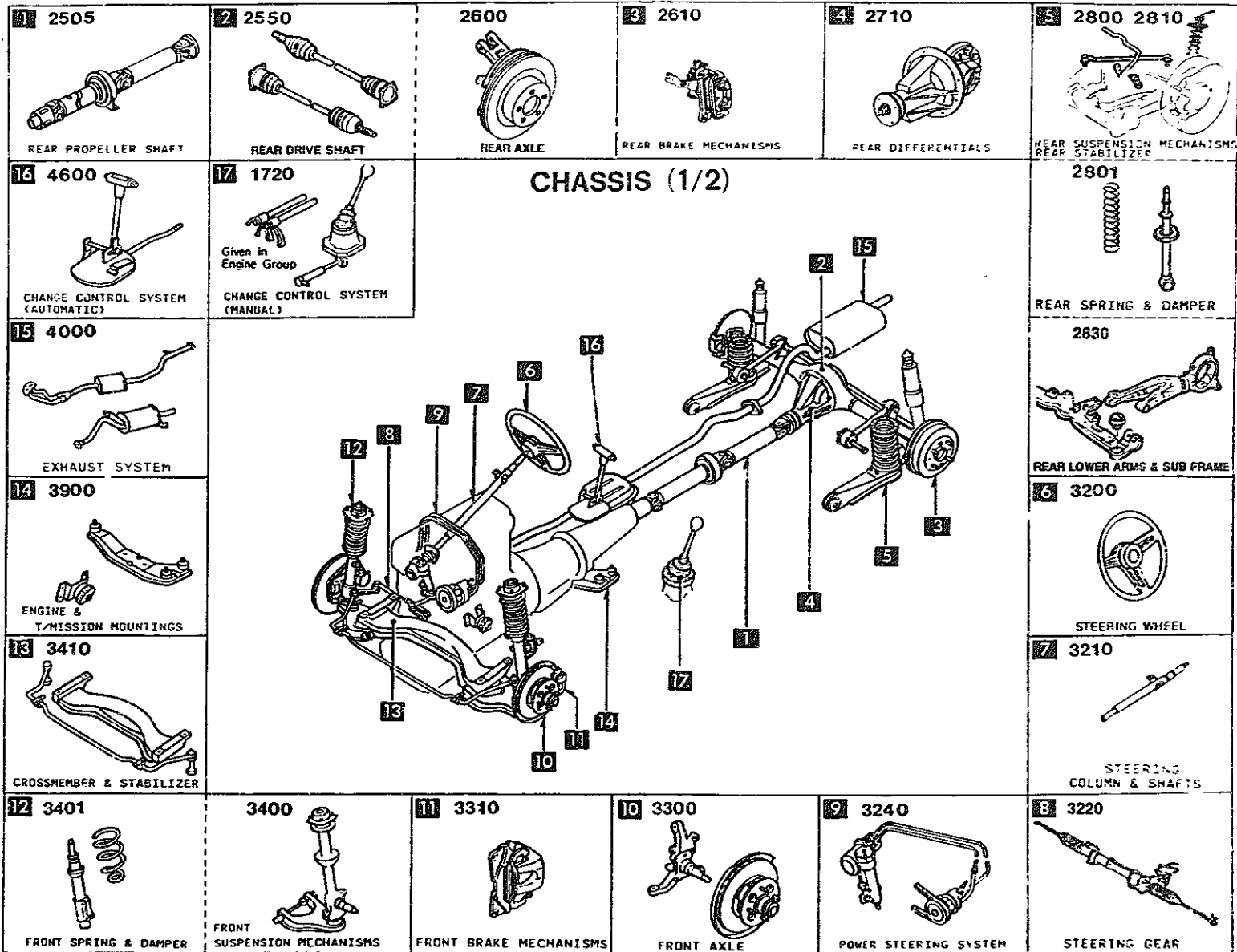
As this illustration is prepared to be applicable to all models, some parts are different in specifications from the parts listed in this parts Catalog

PICTORIAL INDEX

1 1300  INLET MANIFOLD	2 1310  EXHAUST MANIFOLD	3 1311  INTER COOLER	4 1312  TURBO CHARGER	5 1320  FUEL SYSTEM	6 1325  FUEL DISTRIBUTOR
19 1850  BATTERY	ENGINE (2/2) 				7 1330  AIR CLEANER
18 1840  STARTER					8 1350  STARTING ASSIST SYSTEM
17 1830  ALTERNATOR					9 1364  THROTTLE BODY
16					10 1371  AIR PUMP & AIR CONTROL VALVE
15 1800  ENGINE ELECTRICAL SYSTEM	14 1580  BRACKET, PULLEY & BELT	13 1500  COOLING SYSTEM	12 1399  FAN & HOSE CLIP INLET & EXHAUST SID.	11 1380  EMISSION CONTROL SYSTEM	

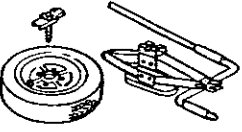

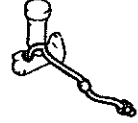

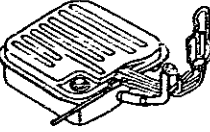
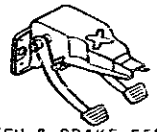
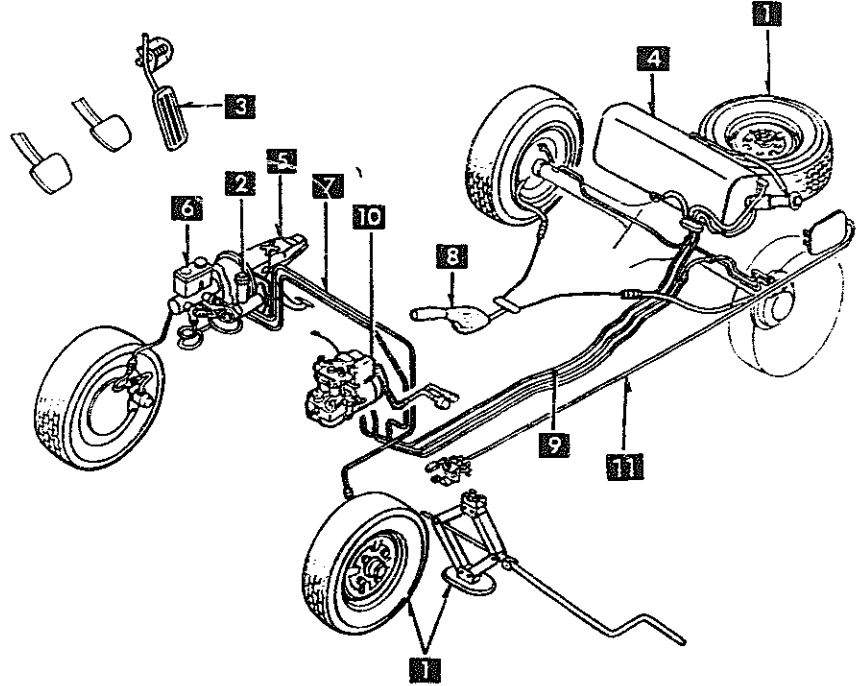
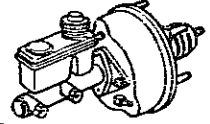


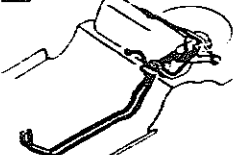
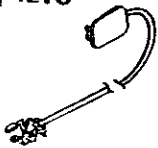
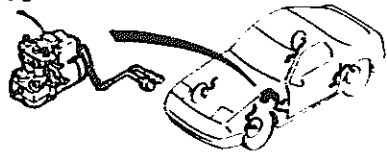
As this illustration is prepared to be applicable to all models, some parts are different in specifications from the parts listed in this parts Catalog.

PICTORIAL INDEX

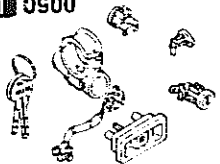
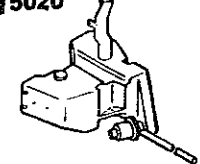

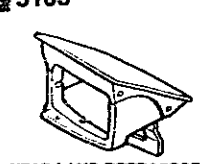
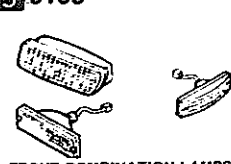
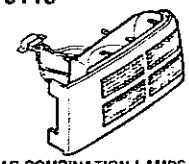
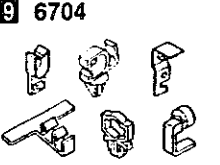
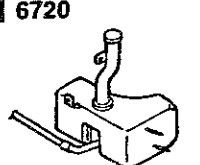
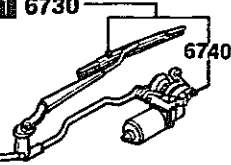
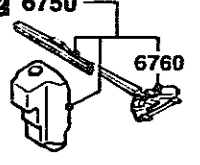
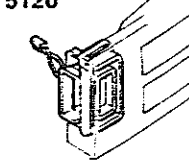
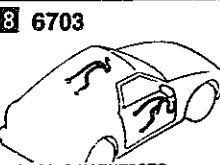
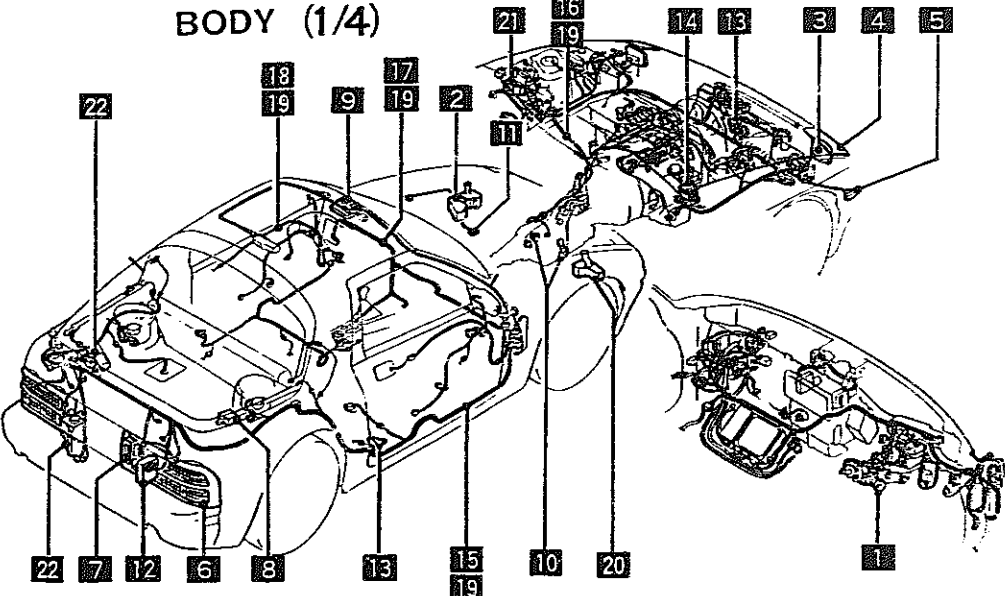
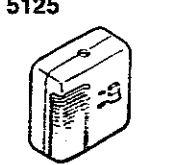
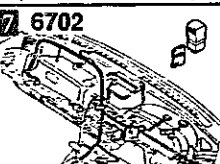
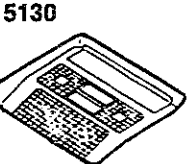

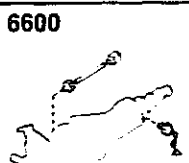
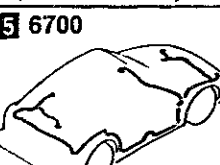
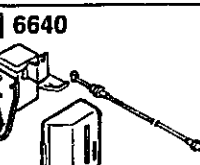


As this illustration is prepared to be applicable to all models, some parts are different in specifications from the parts listed in this parts Catalog.

PICTORIAL INDEX

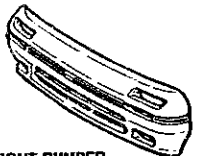
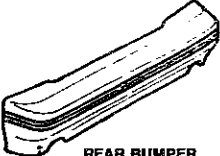


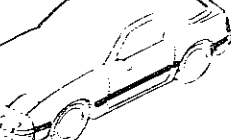
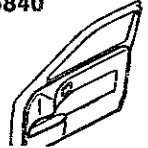


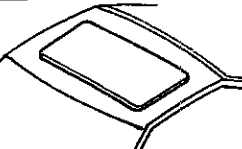
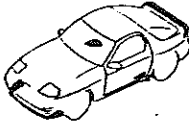
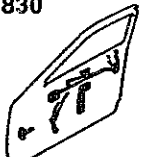
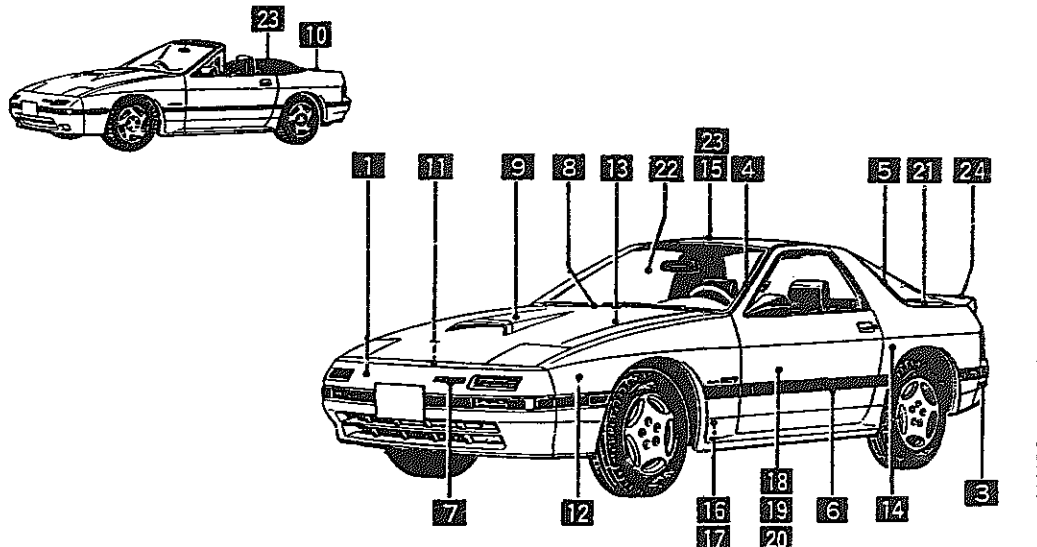
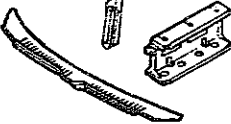
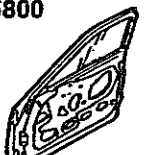

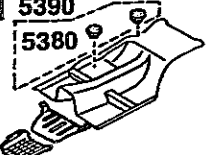



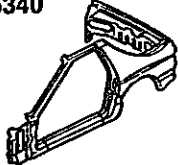
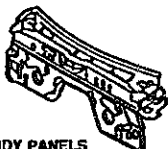
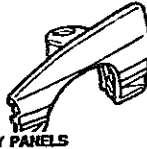
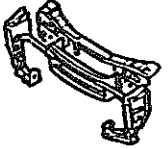
<p>1 3700</p>  <p>TIRES & JACK</p>	<p>2 4140</p>  <p>CLUTCH RELEASE & MASTER CYLINDERS (MANUAL TRANSMISSION)</p>	<p>4145</p>  <p>CLUTCH PIPINGS (MANUAL TRANSMISSION)</p>	<p>3 4160</p>  <p>ACCELERATOR CONTROL SYSTEM</p>	<p>4 4200</p>  <p>FUEL TANK</p>	<p>5 4300</p>  <p>CLUTCH & BRAKE PEDALS (MANUAL TRANSMISSION)</p>
<p>CHASSIS (2/2)</p>  <p>As this illustration is prepared to be applicable to all models, some parts are different in specifications from the parts listed in this parts Catalog</p>					
<p>6 4340</p>  <p>BRAKE MASTER CYLINDER & POWER BRAKE</p> <p>7 4360</p>  <p>BRAKE PIPINGS</p> <p>8 4400</p>  <p>PARKING BRAKE SYSTEM</p> <p>9 4500</p>  <p>FUEL PIPINGS</p> <p>11 4210</p>  <p>FUEL LID OPENER</p> <p>10 4370</p>  <p>ANTILOCK BRAKE SYSTEM</p>					

PICTORIAL INDEX

<p>1 0900</p>  <p>KEY SETS</p>	<p>2 5020</p>  <p>HEAD LAMP CLEANER</p>	<p>3 5100</p>  <p>HEAD LAMPS</p>	<p>4 5103</p>  <p>HEAD LAMP RETRACTORS</p>	<p>5 5105</p>  <p>FRONT COMBINATION LAMPS</p>	<p>6 5110</p>  <p>REAR COMBINATION LAMPS</p>
<p>19 6704</p>  <p>WIRING HARNESS CLAMPS</p>	<p>20 6720</p>  <p>WINDSHIELD WASHER</p>	<p>21 6730</p>  <p>WINDSHIELD WIPERS</p>	<p>22 6750</p>  <p>WINDOW WIPER & WASHER (REAR)</p>		<p>7 5120</p>  <p>LICENSE LAMPS</p>
<p>18 6703</p>  <p>WIRING HARNESSES (DOOR, FLOOR/CEILING)</p>	<p style="text-align: center;">BODY (1/4)</p> 				<p>8 5125</p>  <p>INTERIOR LAMPS</p>
<p>17 6702</p>  <p>WIRING HARNESSES (DASHBOARD)</p>					<p>9 5130</p>  <p>OVERHEAD CONSOLE</p>
<p>16 6701</p>  <p>WIRING HARNESSES (ENGINE & TRANSMISSION)</p>					<p>10 6600</p>  <p>SWITCHES & RELAYS (ENGINE)</p>
<p>15 6700</p>  <p>WIRING HARNESSES (FRONT & REAR)</p>					<p>14 6640</p>  <p>AUTO CRUISE CONTROL SYSTEM</p>

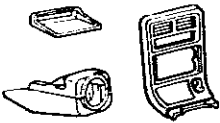
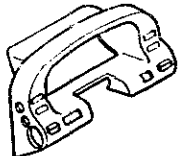
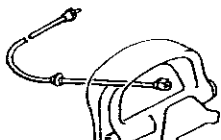
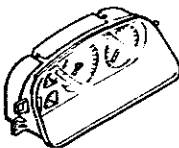
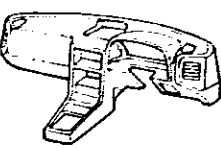
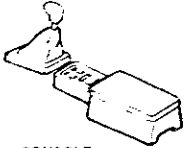
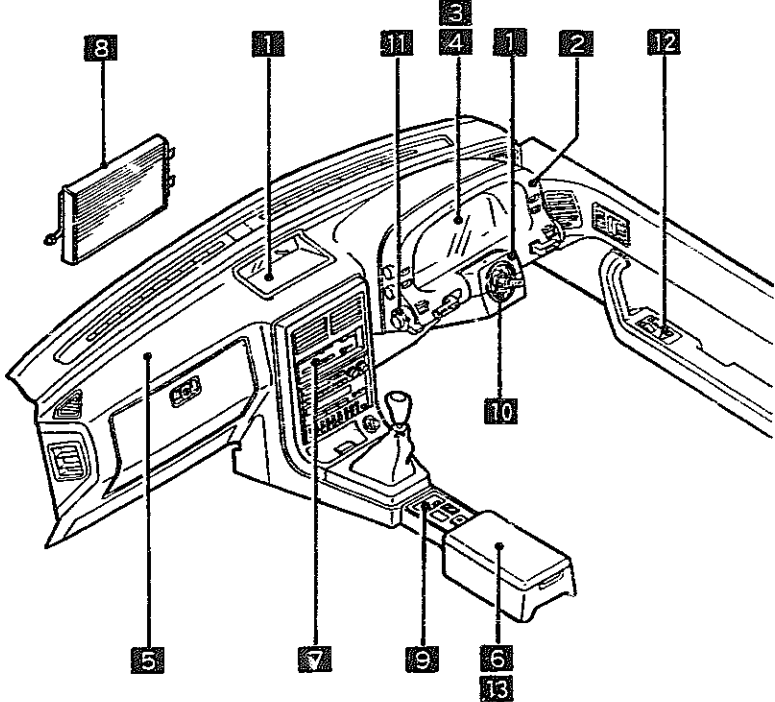
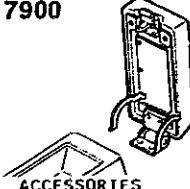
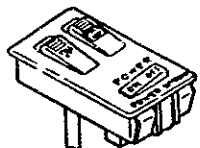
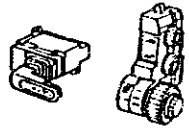
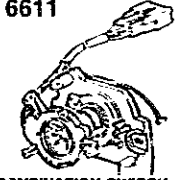
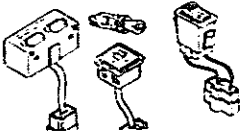
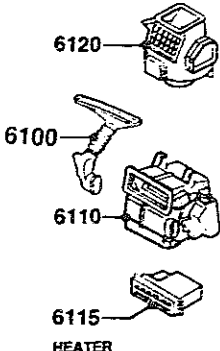
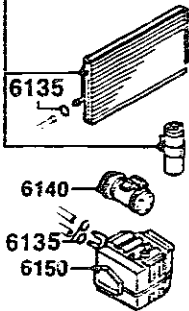
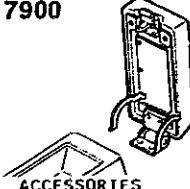
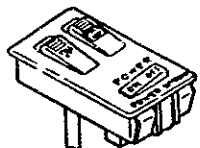
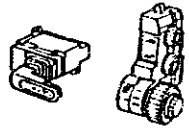
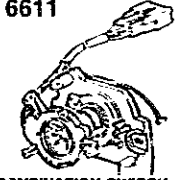
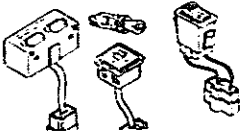
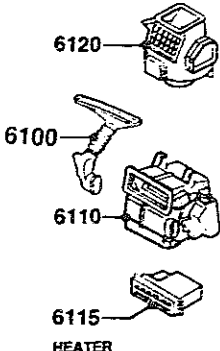
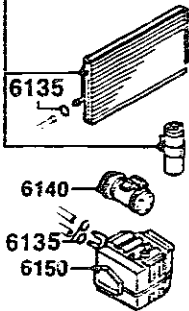
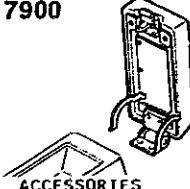
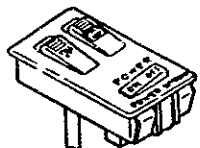
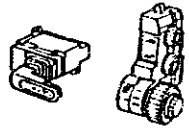
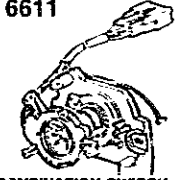
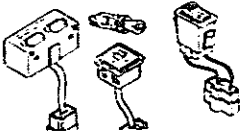
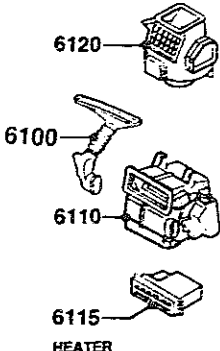
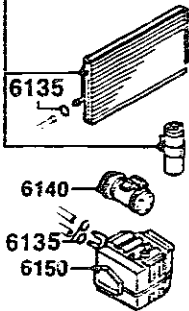
As this illustration is prepared to be applicable to all models, some parts are different in specifications from the parts listed in this parts Catalog

PICTORIAL INDEX

<p>1 5000</p>  <p>FRONT BUMPER</p>	<p>2</p>	<p>3 5010</p>  <p>REAR BUMPER</p>	<p>4 5030</p>  <p>WINDOW MOULDINGS</p>	<p>5 5040</p>  <p>BODY MOULDINGS</p>	<p>6 5060</p>  <p>SIDE PROTECTORS</p>
<p>20 5840</p>  <p>FRONT DOOR TRIMS & RELATED PARTS</p>	<p>21 6230</p>  <p>LIFT GATE MECHANISMS</p>	<p>22 6300</p>  <p>WINDOW GLASSES</p>	<p>23 6330</p>  <p>SUNROOF</p>	<p>24 7800</p>  <p>SPOILERS & RELATED PARTS</p>	<p>7 5170</p> <p>RX-7 MAZDA</p> <p>ORNAMENTS</p>
<p>19 5830</p>  <p>FRONT DOOR MECHANISMS</p>	<p>BODY (2/4)</p> 				<p>8 5180</p>  <p>COWL & EXTRACTOR GRILLES</p>
<p>18 5800</p>  <p>FRONT DOORS</p>					<p>9 5230</p>  <p>BONNET</p>
<p>17 5390</p> <p>5380</p>  <p>FLOOR ATTACHMENTS</p>					<p>10 5260</p>  <p>TRUNK LID</p>
<p>16 5370</p>  <p>BODY PANELS (FLOOR)</p>	<p>15 5360</p>  <p>BODY PANELS (ROOF)</p>	<p>14 5340</p>  <p>BODY PANELS (SIDE)</p>	<p>13 5330</p>  <p>BODY PANELS (DASH & COWL PANEL)</p>	<p>12 5320</p>  <p>BODY PANELS (FENDER & WHEEL APRON)</p>	<p>11 5310</p>  <p>BODY PANELS (FRONT)</p>

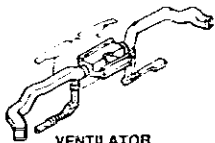

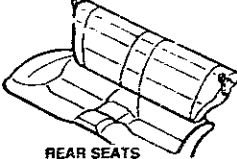
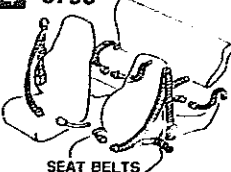
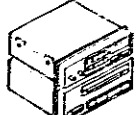

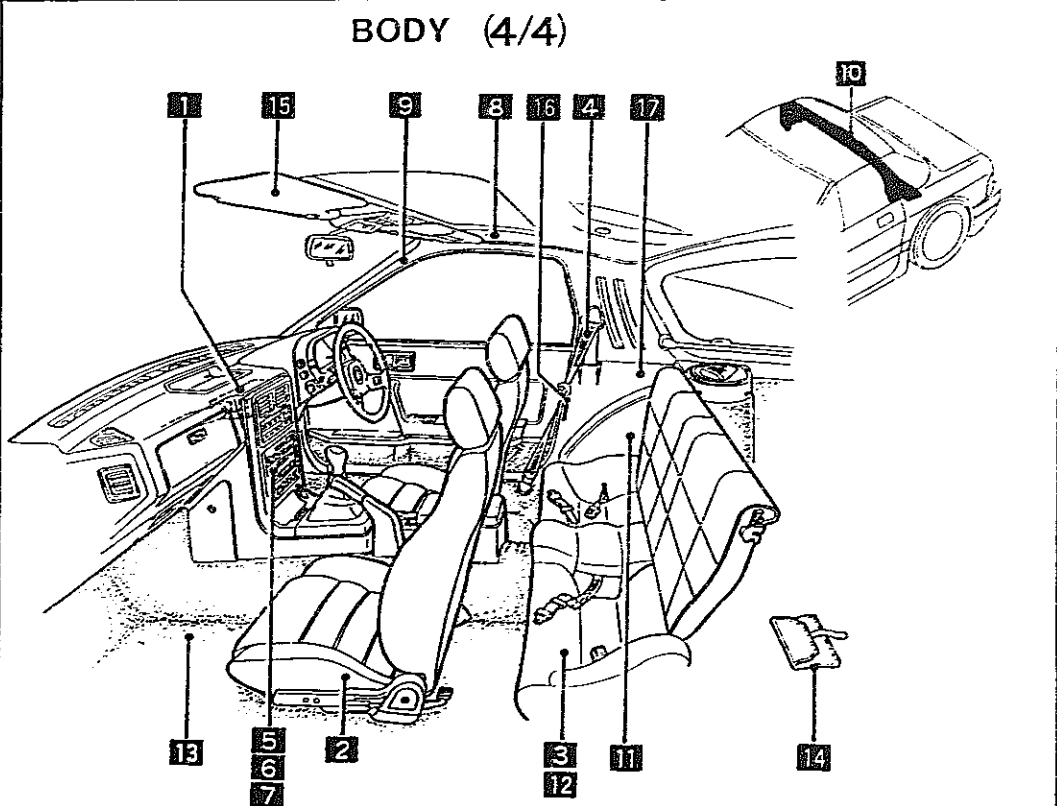


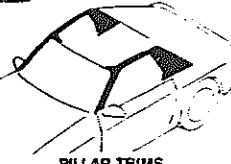

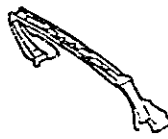
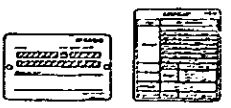
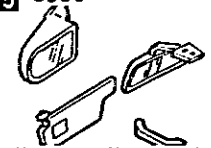

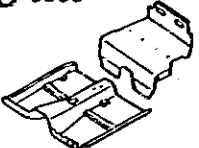
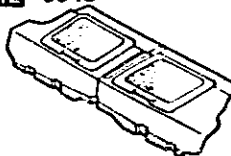
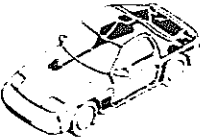
As this illustration is prepared to be applicable to all models, some parts are different in specific models from the parts listed in this parts Catalog.

PICTORIAL INDEX

<p>1 5500</p>  <p>DASHBOARD EQUIPMENTS</p>	<p>2 5520</p>  <p>METER HOOD</p>	<p>3 5530</p>  <p>SPEEDOMETER CABLE</p>	<p>4 5540</p>  <p>METER COMPONENTS</p>	<p>5 5560</p>  <p>DASHBOARD & RELATED PARTS</p>	<p>6 5570</p>  <p>CONSOLE</p>						
<p>BODY (3/4)</p> 											
<table border="1"> <tr> <td data-bbox="170 1153 443 1364"> <p>13 7900</p>  <p>ACCESSORIES</p> </td> <td data-bbox="443 1153 709 1364"> <p>12 6615</p>  <p>POWER WINDOW SWITCHES</p> </td> <td data-bbox="709 1153 976 1364"> <p>11 6612</p>  <p>CLUSTER SWITCH</p> </td> <td data-bbox="976 1153 1243 1364"> <p>10 6611</p>  <p>COMBINATION SWITCH</p> </td> <td data-bbox="1243 1153 1509 1364"> <p>9 6610</p>  <p>DASHBOARD SWITCHES</p> </td> <td data-bbox="1509 1153 1776 1364"> <p>7</p>  <p>6120 6100 6110 6115 HEATER</p> <p>8 6130</p>  <p>6135 6140 6135 6150 AIR CONDITIONER</p> </td> </tr> </table>						<p>13 7900</p>  <p>ACCESSORIES</p>	<p>12 6615</p>  <p>POWER WINDOW SWITCHES</p>	<p>11 6612</p>  <p>CLUSTER SWITCH</p>	<p>10 6611</p>  <p>COMBINATION SWITCH</p>	<p>9 6610</p>  <p>DASHBOARD SWITCHES</p>	<p>7</p>  <p>6120 6100 6110 6115 HEATER</p> <p>8 6130</p>  <p>6135 6140 6135 6150 AIR CONDITIONER</p>
<p>13 7900</p>  <p>ACCESSORIES</p>	<p>12 6615</p>  <p>POWER WINDOW SWITCHES</p>	<p>11 6612</p>  <p>CLUSTER SWITCH</p>	<p>10 6611</p>  <p>COMBINATION SWITCH</p>	<p>9 6610</p>  <p>DASHBOARD SWITCHES</p>	<p>7</p>  <p>6120 6100 6110 6115 HEATER</p> <p>8 6130</p>  <p>6135 6140 6135 6150 AIR CONDITIONER</p>						

As this illustration is prepared to be applicable to all models, some parts are different in specifications from the parts listed in this parts Catalog.

PICTORIAL INDEX

<p>1 5580</p>  <p>VENTILATOR</p>	<p>2 5700</p>  <p>FRONT SEATS</p>	<p>3 5750</p>  <p>REAR SEATS</p>	<p>4 5790</p>  <p>SEAT BELTS</p>	<p>5 6680</p>  <p>AUDIO SYSTEMS (RADIO & TAPE DECK)</p>	<p>6 6682</p>  <p>AUDIO SYSTEMS (ANTENNA & SPEAKER)</p>		
<p>BODY (4/4)</p> 						<p>7 6684</p>  <p>AUDIO SYSTEMS (NOISE SUPPRESSOR & EARTH CORD)</p>	
						<p>8 6800</p>  <p>CEILING TRIMS</p>	
						<p>9 6820</p>  <p>PILLAR TRIMS</p>	
<p>17 7250</p>  <p>QUARTER WINDOW & TRIMS</p>							<p>10 6810</p>  <p>ROLLERBAR</p>
<p>16 6930</p>  <p>CAUTION PLATES & LABELS</p>	<p>15 6900</p>  <p>VISORS, ASSIST HANDLES & MIRRORS</p>	<p>14 6870</p>  <p>SERVICE TOOLS</p>	<p>13 6860</p>  <p>FLOOR MATS & PADS</p>	<p>12 6845</p>  <p>STORAGE BOX</p>	<p>11 6840</p>  <p>TRIMS & SCUFF PLATES</p>		

As this illustration is prepared to be applicable to all models, some parts are different in specifications from the parts listed in this parts Catalog

SECTION NAME INDEX (ENGINE)

LO.NO	SEC.NO	SECTION NAME	LO.NO	SEC.NO	SECTION NAME	LO.NO	SEC.NO	SECTION NAME
1-C03	1000	SHORT ENGINE & GASKET SETS (W/O TURBO)	1-G11	1840	STARTER			
1-003	1000 A	SHORT ENGINE & GASKET SETS (TURBO)	1-J11	1850	BATTERY			
1-E03	1030	ROTOR HOUSINGS (W/O TURBO)	1-K11	1910	TORQUE CONVERTER, OIL PUMP & PIPINGS (AUTOMATIC)			
1-G03	1030 A	ROTOR HOUSINGS (TURBO)	1-N11	1920	TRANSMISSION CASE & MAIN CONTROL SYSTEM (AUTOMATIC)			
1-J03	1040	OIL PAN, FRONT & REAR HOUSING (W/O TURBO)	1-I12	1925	CONTROL VALVE (AUTOMATIC)			
1-M03	1040 A	OIL PAN, FRONT & REAR HOUSING (TURBO)	1-D13	1930	CLUTCHES & PLANETARY GEARS (AUTOMATIC)			
1-D04	1100	ECCENTRIC SHAFT & FLYWHEEL	1-L13	1940	GOVERNOR, LOW & REVERSE PISTON (AUTOMATIC)			
1-G04	1110	ROTORS & RELATED PARTS	1-C14	1950	MANUAL LINKAGE SYSTEM (AUTOMATIC)			
1-I04	1300	INLET MANIFOLD	1-E14	1960	GASKET & SEAL KIT (AUTOMATIC)			
1-M04	1310	EXHAUST MANIFOLD						
1-N04	1311	INTER COOLER (TURBO)						
1-C05	1312	TURBO CHARGER (TURBO)						
1-F05	1320	FUEL SYSTEM						
1-H05	1325	FUEL DISTRIBUTOR						
1-I05	1330	AIR CLEANER						
1-M05	1350	STARTING ASSIST SYSTEM						
1-N05	1364	THROTTLE BODY						
1-F06	1371	AIR PUMP & AIR CONTROL VALVE						
1-I06	1380	EMISSION CONTROL SYSTEM						
1-D07	1399	CAP & HOSE CLIP (INLET & EXHAUST SIDE)						
1-F07	1400	OIL PUMP & FILTER (W/O TURBO)						
1-I07	1400 A	OIL PUMP & FILTER (TURBO)						
1-M07	1500	COOLING SYSTEM						
1-F08	1580	BRACKET, PULLEY & BELT						
1-C09	1600	CLUTCH DISC & COVER (MANUAL)						
1-F09	1700	TRANSMISSION CASE (MANUAL)						
1-J09	1710	TRANSMISSION GEARS (MANUAL)						
1-H10	1720	CHANGE CONTROL SYSTEM (MANUAL)						
1-M10	1800	ENGINE ELECTRICAL SYSTEM						
1-E11	1830	ALTERNATOR						

CATLOG-NO= AUFA02-06

DATE. 1992-05

SECTION NAME INDEX (CHASSIS)

LD.NO	SEC.NO	SECTION NAME	LD.NO	SEC.NO	SECTION NAME	LD.NO	SEC.NO	SECTION NAME
2-C03	2505	REAR PROPELLER SHAFT	2-M08	4140	CLUTCH RELEASE & MASTER CYLINDERS (MANUAL TRANSMISSION)			
2-D03	2550	REAR DRIVE SHAFT	2-C09	4145	CLUTCH PIPINGS (MANUAL TRANSMISSION)			
2-E03	2600	REAR AXLE	2-D09	4160	ACCELERATOR CONTROL SYSTEM			
2-G03	2610	REAR BRAKE MECHANISMS	2-E09	4200	FUEL TANK			
2-K03	2710	REAR DIFFERENTIALS (NORMAL DIFF.)	2-H09	4300	CLUTCH & BRAKE PEDALS (MANUAL TRANSMISSION)			
2-C04	2710 A	REAR DIFFERENTIALS (LIMITED SLIP DIFF.)	2-K09	4300A	BRAKE PEDALS (AUTOMATIC TRANSMISSION)			
2-H04	2800	REAR SUSPENSION MECHANISMS	2-M09	4340	BRAKE MASTER CYLINDER & POWER BRAKE (W/O TURBO)			
2-J04	2801	REAR SPRING & DAMPER	2-C10	4340 A	BRAKE MASTER CYLINDER & POWER BRAKE (TURBO)			
2-K04	2810	REAR STABILIZER	2-E10	4360	BRAKE PIPINGS (W/O TURBO)			
2-L04	2830	REAR LOWER ARMS & SUB FRAME	2-G10	4360 A	BRAKE PIPINGS (TURBO)			
2-N04	3200	STEERING WHEEL (W/O AIR BAG)	2-J10	4370	ANTILOCK BRAKE SYSTEM (TURBO)			
2-E05	3200 A	STEERING WHEEL (W/ AIR BAG)	2-N10	4400	PARKING BRAKE SYSTEM			
2-G05	3210	STEERING COLUMN & SHAFTS	2-D11	4500	FUEL PIPINGS			
2-I05	3220 A	STEERING GEAR (W/ POWER STEERING: ENGINE REVOLUTION PER MINUTE SENSOR) (GTU, '90-EX L, '90-CONV-W/O AIR BAG)	2-H11	4600	CHANGE CONTROL SYSTEM (AT)			
2-L05	3220 B	STEERING GEAR (W/ POWER STEERING: VELOCITY SENSOR) (GTUS, '90-G XL, TURBO, '89-CONV, '90-CONV-W/AIR BAG)						
2-C06	3240	POWER STEERING SYSTEM						
2-F06	3300	FRONT AXLE						
2-H06	3310	FRONT BRAKE MECHANISMS						
2-K06	3400	FRONT SUSPENSION MECHANISMS						
2-M06	3401	FRONT SPRING & DAMPER						
2-N06	3410	CROSSMEMBER & STABILIZER						
2-C07	3700	TIRES & JACK						
2-C08	3900	ENGINE & T/MISSION MOUNTINGS (MT)						
2-D08	3900A	ENGINE & T/MISSION MOUNTINGS (AT)						
2-E08	4000	EXHAUST SYSTEM (W/O TURBO)						
2-I08	4000 A	EXHAUST SYSTEM (TURBO)						

CATLOG-NO= AUFA02-06

DATE. 1992-05

SECTION NAME INDEX (BODY)1/2

LO.NO	SEC.NO	SECTION NAME	LO.NO	SEC.NO	SECTION NAME	LO.NO	SEC.NO	SECTION NAME
3-C03	0900	KEY SETS	3-J09	5390	FLOOR ATTACHMENTS			
3-F03	5000	FRONT BUMPER	3-C10	5500	DASHBOARD EQUIPMENTS			
3-H03	5010	REAR BUMPER	3-F10	5520	METER HOOD			
3-J03	5020	HEAD LAMP CLEANER	3-G10	5530	SPEEDOMETER CABLE			
3-L03	5030	WINDOW MOULDINGS	3-H10	5540	METER COMPONENTS			
3-M03	5040	BODY MOULDINGS (COUPE)	3-J10	5560	DASHBOARD & RELATED PARTS			
3-E04	5060	SIDE PROTECTORS	3-E11	5570	CONSOLE			
3-I04	5100	HEAD LAMPS	3-H11	5580	VENTILATOR			
3-J04	5103	HEAD LAMP RETRACTORS	3-J11	5700	FRONT SEATS (COUPE)			
3-N04	5105	FRONT COMBINATION LAMPS	3-E13	5700A	FRONT SEATS (CONVERTIBLE)			
3-G05	5110	REAR COMBINATION LAMPS	3-K13	5750	REAR SEATS (COUPE)			
3-K05	5120	LICENSE LAMPS	3-M13	5790	SEAT BELTS (COUPE)			
3-M05	5125	INTERIOR LAMPS	3-C14	5790A	SEAT BELTS (CONVERTIBLE)			
3-N05	5130	OVERHEAD CONSOLE	3-D14	5800	FRONT DOORS (COUPE)			
3-C06	5170	ORNAMENTS	3-G14	5800A	FRONT DOORS (CONVERTIBLE)			
3-D06	5180	COWL & EXTRACTOR GRILLES	3-K14	5830	FRONT DOOR MECHANISMS (COUPE)			
3-G06	5230	BONNET	3-F15	5830A	FRONT DOOR MECHANISMS (CONVERTIBLE)			
3-J06	5260	TRUNK LID (CONVERTIBLE)	3-J15	5840	FRONT DOOR TRIMS & RELATED PARTS (COUPE)			
3-L06	5310	BODY PANELS (FRONT) (COUPE)	3-H16	5840A	FRONT DOOR TRIMS & RELATED PARTS (CONVERTIBLE)			
3-C07	5310 A	BODY PANELS (FRONT) (CONVERTIBLE)						
3-F07	5320	BODY PANELS (FENDER & WHEEL ARCH)						
3-K07	5330	BODY PANELS (DASH & COWL PANEL)						
3-L07	5340	BODY PANELS (SIDE) (COUPE)						
3-E08	5340A	BODY PANELS (SIDE) (CONVERTIBLE)						
3-K08	5360	BODY PANELS (ROOF) (W/O SUN ROOF)						
3-L08	5360 A	BODY PANELS (ROOF) (SUN ROOF)						
3-M08	5370	BODY PANELS (FLOOR) (COUPE)						
3-D09	5370 A	BODY PANELS (FLOOR) (CONVERTIBLE)						
3-H09	5380	FLOOR ATTACHMENTS (HOLE COVERS)						

CATLOG-NO= AUFA02-06

DATE. 1992-05

SECTION NAME INDEX (BODY) 2/2

LO.NO	SEC.NO	SECTION NAME	LO.NO	SEC.NO	SECTION NAME	LO.NO	SEC.NO	SECTION NAME
4-C03	6100	HEATER	4-E08	6703	WIRING HARNESSSES(DOOR,FLOOR/CEILING)			
4-E03	6110	HEATER UNIT COMPONENTS	4-G08	6704	WIRING HARNESS CLAMPS			
4-F03	6115	HEATER CONTROLS COMPONENTS	4-J08	6720	WINDSHIELD WASHER (1.5L & 2.5L)			
4-G03	6120	HEATER BLOWER COMPONENTS	4-L08	6720 A	WINDSHIELD WASHER (5.7L)			
4-I03	6130	AIR CONDITIONER	4-N08	6730	WINDSHIELD WIPERS			
4-J03	6230	LIFT GATE MECHANISMS (COUPE)	4-C09	6740	WIPER MOTOR COMPONENTS(FRONT)			
4-M03	6300	WINDOW GLASSES (COUPE)	4-D09	6750	WINDOW WIPER & WASHER (REAR)			
4-N03	6300A	WINDOW GLASSES (CONVERTIBLE)	4-G09	6760	WINDOW WIPER MOTOR COMPONENTS (REAR)			
4-C04	6330	SUNROOF (COUPE)	4-H09	6800	CEILING TRIMS (COUPE)			
4-G04	6330A	SUNROOF (CONVERTIBLE)	4-J09	6800A	CEILING TRIMS (CONVERTIBLE)			
4-M04	6600	SWITCHES & RELAYS (ENGINE)	4-K09	6810	ROLLEBAR (CONVERTIBLE)			
4-G05	6610	DASHBOARD SWITCHES	4-N09	6820	PILLAR TRIMS (COUPE)			
4-H05	6611	COMBINATION SWITCH	4-F10	6820A	PILLAR TRIMS (CONVERTIBLE)			
4-I05	6612	CLUSTER SWITCH	4-G10	6840	TRIMS & SCUFF PLATES (COUPE)			
4-L05	6615	POWER WINDOW SWITCHES	4-L10	6840A	TRIMS & SCUFF PLATES (CONVERTIBLE)			
4-M05	6630	RELAYS & UNIT (BODY)	4-N10	6845	STRAGE BOX (COUPE) * (GXL,TURBO)			
4-D06	6635	DOOR SWITCH & HORNS	4-D11	6860	FLOOR MATS & PADS (COUPE)			
4-E06	6640	AUTO CRUISE CONTROL SYSTEM	4-K11	6860A	FLOOR MATS & PADS (CONVERTIBLE)			
4-F06	6680	AUDIO SYSTEMS (RADIO & TAPE DECK) (COUPE)	4-C12	6870	SERVICE TOOLS			
4-K06	6680 A	AUDIO SYSTEMS (RADIO & TAPE DECK) (CONVERTIBLE)	4-D12	6900	VISORS,ASSIST HANDLES & MIRRORS (COUPE)			
4-M06	6682	AUDIO SYSTEMS (ANTENNA & SPEAKER) (COUPE)	4-H12	6900A	VISORS,ASSIST HANDLES & MIRRORS (CONVERTIBLE)			
4-D07	6682 A	AUDIO SYSTEMS (ANTENNA & SPEAKER) (CONVERTIBLE)	4-K12	6930	CAUTION PLATES & LABELS			
4-G07	6684	AUDIO SYSTEMS(NOISE SUPPRESSOR & EARTH CORD)	4-N12	7250	QUARTER WINDOW & TRIMS			
4-H07	6700	WIRING HARNESSSES(FRONT & REAR)	4-E13	7800	SPOILERS & RELATED PARTS			
4-N07	6701	WIRING HARNESSSES(ENGINE & TRANSMISSION)	4-C14	7900	ACCESSORIES			
4-D08	6702	WIRING HARNESSSES(DASHBOARD)						

CATLOG-NO= AUFA02-06

DATE. 1992-05

PART NUMBER INDEX

This index is listed in the following sequence.

GENERAL PARTS

EXAMPLE

- ① Model/Type
Third, in the sequence of model/types (1st-4th digits)
- ② Group
First, in the sequence of group (5th & 6th digits)
- ③ Part
Second, in the sequence of part (7th-9th digits)

INDEX DES NOMBRES DE PIÈCES

Cet index a été composé selon la séquence suivante.

PIÈCES GÉNÉRALES

EXEMPLE

- ① Modèle/type
Troisième, séquence du modèle/type (1er à 4ème chiffres)
- ② Groupe
Premièrement, séquence du groupe (5ème et 6ème chiffres)
- ③ Pièce
Deuxièmement, séquence de la pièce (7ème à 9ème chiffres)

NUMERO INDICE DE PIEZA

Este índice se ordena en la siguiente secuencia.

PIEZAS GENERALES

EJEMPLO

- ① Tipo de modelo
Tercero, en la secuencia de tipo de modelo (entre las cifras 1ro-4to lugar)
- ② Grupo
Prmero, en la secuencia de grupo (las cifras en 5to y 6to lugar)
- ③ Pieza
Segundo, en la secuencia de pieza (entre las cifras 7mo-9no lugar)

TEILENUMMERN

Die Teilenummern setzen sich wie folgt zusammen.

ALLGEMEINE TEILE

BEISPIEL

- ① Modell/Typ
Angabe des Modells bzw. Typs (1. bis 4. Ziffer)
- ② Baugruppe
Angabe der Baugruppe (5. und 6. Ziffer)
- ③ Teil
Angabe des Teils (7. bis 9. Ziffer)

① ② ③
└───┬───┘ └───┬───┘ └───┬───┘
B A O 1 6 0 3 5 0

STANDARD PARTS

Standard Parts are listed in numerical sequence after General Parts.
(Note: Those parts which do not have D-Code are not listed in the index.)

PIÈCES STANDARD

Les pièces standard sont énumérées selon une séquence numérique, après les pièces générales.
(Remarque: Les pièces qui ne possèdent pas de code D ne sont pas mentionnées dans cet index.)

PIEZAS NORMALES

Las piezas normales se numeran secuencialmente después de las Piezas generales.
(Nota: Las piezas que no tienen un código D no están en el índice.)

STANDARDTEILE

Die Standardteile sind nach den allgemeinen Teilen mit fortlaufender Nummerierung aufgeführt.
(Hinweis: Teile ohne D-Code sind nicht aufgeführt.)

PART NUMBER INDEX / INDEX DES NUMEROS DE PIÉCES / TEILNUMMER-INDEX / INDICE DE NUMERO DE PARTES

***** * RI-000 * *****	FB67-R1-960G02 4-J4 FB67-R1-960G48 4-J4	N350-10-C85 1-J3 1-M3	N326-10-450A 1-M3 0839-10-455 1-K3 1-N3	1011-11-504 1-E4 0813-11-505B 1-E4 0839-11-506 1-E4 1011-11-507 1-E4 0839-11-508 1-E4 0839-11-509 1-E4 8519-11-517 1-E4 8534-11-518 1-E4 N351-11-521 1-F4 0839-11-531 1-E4 0866-11-702 1-E4 0820-11-705 1-F4 0810-11-711 1-F4	N326-13-234A 1-J5 N350-13-240 1-K5 8871-13-087A 4-E6 N350-13-100A 1-J4 N370-13-100A 1-J4 N372-13-100A 1-J4 N350-13-104 1-E7 1010-13-104 1-E7 N350-13-111 1-J4 N370-13-111 1-J4 8AF4-13-111 1-C3 8AF5-13-111 1-D3 N350-13-112 1-J4 N370-13-112 1-J4 8527-13-113 1-J4 N350-13-130 1-J4 N350-13-130A 1-J4 N370-13-130B 1-J4 N370-13-130C 1-J4 N350-13-135 1-J4	N327-1-363 1-N10 N370-13-38XA 1-C5 N370-13-380B 1-C5 N326-13-390B 1-M4 N370-13-390 1-M4 N370-13-390A 1-M4 8574-13-422 1-F5 FE87-13-428 1-G5 F267-13-428 1-F5 G601-13-428 1-F5 N318-13-428 1-F5 N326-13-428A 1-F5 N370-13-428 1-F5 N326-13-431B 1-G5 0118-13-431 3-G6 N326-13-447 1-E7 N350-13-450 1-M4 N370-13-450B 1-M4 N318-13-456 1-M4 N370-13-456 1-M4
FB67-R1-01YH 4-G4 FB67-R1-03X 4-G4 FB67-R1-03Y 4-G4 FB67-R1-10U 4-G4 FB67-R1-14X 4-G4 FB67-R1-14Y 4-G4 FB67-R1-146A 4-G4 FB67-R1-147A 4-G4 FB67-R1-148A 4-G4 FB67-R1-149 4-G4 FB67-R1-15X 4-G4 FB67-R1-16X 4-G4 FB67-R1-17X 4-G4	***** * VO-000 * ***** FB01-V0-622 4-C14 FB01-V0-631 4-C14 FB01-V0-631 5F 4-C14 FB01-V0-634 4-C14 FB01-V0-634 5F 4-C14 FB01-V0-636 4-C14 FB01-V0-639 4-C14	N370-10-E00C 1-F3 1-M3 N350-10-E02 1-F3 1-M3 N370-10-E10 1-F3 1-M3 N370-10-E10B 1-F3 1-M3 N350-10-E15 1-F3 1-M3 N350-10-E50A 1-K3	N350-10-566 1-K3 N318-10-570A 1-M3 N318-10-570B 1-N3 0820-10-605 1-K3 1-M3 N249-10-619 1-C4 1-M3 8871-10-631A 1-K3 1-N3 N231-10-735 4-M4 N225-10-861 1-L3	N326-13-A5YB 1-M5 N326-13-A6YC 1-M5 N332-13-A6YB 1-M5 N326-13-A61 1-M5 N326-13-A63B 1-M5 N332-13-A63 1-M5 N326-13-A64 1-M5 N332-13-A64B 1-M5 N350-13-A64 1-M5 N350-13-A65A 1-M5 N370-13-A65A 1-M5 N326-13-A66 1-M5 N350-13-B70 1-K4 N351-13-B70A 1-K4 N350-13-B73 1-J4 N350-13-B80A 1-K4 N351-13-B80A 1-K4 N350-13-B87 1-K4 N350-13-B96 1-L4	N370-13-140 1-J4 N370-13-140B 1-K4 N350-13-150 1-H5 N351-13-150 1-H5 N370-13-150 1-H5 N371-13-150 1-H5 8574-13-157 1-E7 2-E11 N326-13-158 1-H5 N225-13-160A 1-K4 N318-13-164A 1-D5 1-K5 N350-13-164 1-H5 N370-13-165 1-H5 N326-13-17X 1-M5 N225-13-173A 1-K4 N225-13-184 1-K4 N225-13-186 1-K4 N225-13-188A 1-K4 N350-13-201 1-J5	N319-13-657B 2-18 N318-13-661 1-M4 N350-13-661 1-M4 N236-13-683 1-C5 N370-13-691 2-18 B630-13-696 2-E11 E5A1-13-697A 2-E11 N318-13-698 1-F5 1881-13-510G 1-M5 N318-13-530A 1-C5 N370-13-540 1-C5 N318-13-546 1-C5 N370-13-546 1-M4 N318-13-550 1-N4 N318-13-555A 1-N4 N319-13-556A 1-N4 N318-13-557 1-N4 N318-13-56X 1-N4 N253-13-607A 1-C5 N236-13-631 1-C5 N236-13-638 1-C5
FC23-R1-2Y0 4-I4 FC23-R1-210 4-G4 FB67-R1-212C02 4-H4 FB67-R1-212C48 4-H4 FB67-R1-213 4-H4 FB67-R1-214A 4-I4 FC33-R1-217 4-H4 FB67-R1-218 4-H4 FB67-R1-219 4-H4 FB67-R1-221 4-H4 FB67-R1-222 4-K4 FB67-R1-231 4-H4 FB67-R1-232 4-H4 FB67-R1-233 4-H4 FB67-R1-234 4-H4 FB67-R1-235 4-H4 FB67-R1-236 4-H4 FB67-R1-237A 4-H4 FB67-R1-251 4-I4 FB67-R1-252 4-I4	***** * 02-000 * ***** N350-02-200 1-C3 N350-02-200A 1-C3 N351-02-200 1-C3 N351-02-200A 1-C3 N370-02-200 1-D3 N370-02-200A 1-D3	N350-10-E51B 1-K3 1-N3 N350-10-E56 1-J3 1-M3 N350-10-E61A 1-K3 1-M3 N350-10-S60 1-C3 N370-10-S60 1-D3 N326-10-T11 4-M4 0839-10-105 1-G3 1-E3 1-G3 1-E3 1-G3	N350-10-566 1-K3 N318-10-570A 1-M3 N318-10-570B 1-N3 0820-10-605 1-K3 1-M3 N249-10-619 1-C4 1-M3 8871-10-631A 1-K3 1-N3 N231-10-735 4-M4 N225-10-861 1-L3	N326-13-A5YB 1-M5 N326-13-A6YC 1-M5 N332-13-A6YB 1-M5 N326-13-A61 1-M5 N326-13-A63B 1-M5 N332-13-A63 1-M5 N326-13-A64 1-M5 N332-13-A64B 1-M5 N350-13-A64 1-M5 N350-13-A65A 1-M5 N370-13-A65A 1-M5 N326-13-A66 1-M5 N350-13-B70 1-K4 N351-13-B70A 1-K4 N350-13-B73 1-J4 N350-13-B80A 1-K4 N351-13-B80A 1-K4 N350-13-B87 1-K4 N350-13-B96 1-L4	N370-13-140 1-J4 N370-13-140B 1-K4 N350-13-150 1-H5 N351-13-150 1-H5 N370-13-150 1-H5 N371-13-150 1-H5 8574-13-157 1-E7 2-E11 N326-13-158 1-H5 N225-13-160A 1-K4 N318-13-164A 1-D5 1-K5 N350-13-164 1-H5 N370-13-165 1-H5 N326-13-17X 1-M5 N225-13-173A 1-K4 N225-13-184 1-K4 N225-13-186 1-K4 N225-13-188A 1-K4 N350-13-201 1-J5	N319-13-657B 2-18 N318-13-661 1-M4 N350-13-661 1-M4 N236-13-683 1-C5 N370-13-691 2-18 B630-13-696 2-E11 E5A1-13-697A 2-E11 N318-13-698 1-F5 1881-13-510G 1-M5 N318-13-530A 1-C5 N370-13-540 1-C5 N318-13-546 1-C5 N370-13-546 1-M4 N318-13-550 1-N4 N318-13-555A 1-N4 N319-13-556A 1-N4 N318-13-557 1-N4 N318-13-56X 1-N4 N253-13-607A 1-C5 N236-13-631 1-C5 N236-13-638 1-C5
FB67-R1-421A 4-I4 FB67-R1-5A1 4-I4 FB67-R1-5A2 4-I4 FB67-R1-510D 4-I4 FB67-R1-520B 4-I4 FB67-R1-711D 4-I4 FB67-R1-711E 4-I4 FB67-R1-721D 4-I4 FB67-R1-721E 4-I4 FB67-R1-810D 4-I4 FB67-R1-860H 4-J4 FB67-R1-870D 4-J4 FB67-R1-881C 4-J4 FB67-R1-882C 4-J4 FB67-R1-9A3A 4-J4 FB67-R1-9B3A 4-J4 FB67-R1-91YC 4-J4 FB67-R1-912C 4-K4 FB67-R1-910H02 4-J4 FB67-R1-910H48 4-J4	***** * 09-000 * ***** FC01-09-010 02 3-C3 FC01-09-010 19 3-C3 FC01-09-010 48 3-C3 FC02-09-010 02 3-C3 FC02-09-010 19 3-C3	N231-10-173 1-E3 1-M3 N231-10-174 1-J3 1-M3 0839-10-203 1-J3 1-M3	N350-10-566 1-K3 N318-10-570A 1-M3 N318-10-570B 1-N3 0820-10-605 1-K3 1-M3 N249-10-619 1-C4 1-M3 8871-10-631A 1-K3 1-N3 N231-10-735 4-M4 N225-10-861 1-L3	N326-13-A5YB 1-M5 N326-13-A6YC 1-M5 N332-13-A6YB 1-M5 N326-13-A61 1-M5 N326-13-A63B 1-M5 N332-13-A63 1-M5 N326-13-A64 1-M5 N332-13-A64B 1-M5 N350-13-A64 1-M5 N350-13-A65A 1-M5 N370-13-A65A 1-M5 N326-13-A66 1-M5 N350-13-B70 1-K4 N351-13-B70A 1-K4 N350-13-B73 1-J4 N350-13-B80A 1-K4 N351-13-B80A 1-K4 N350-13-B87 1-K4 N350-13-B96 1-L4	N370-13-140 1-J4 N370-13-140B 1-K4 N350-13-150 1-H5 N351-13-150 1-H5 N370-13-150 1-H5 N371-13-150 1-H5 8574-13-157 1-E7 2-E11 N326-13-158 1-H5 N225-13-160A 1-K4 N318-13-164A 1-D5 1-K5 N350-13-164 1-H5 N370-13-165 1-H5 N326-13-17X 1-M5 N225-13-173A 1-K4 N225-13-184 1-K4 N225-13-186 1-K4 N225-13-188A 1-K4 N350-13-201 1-J5	N319-13-657B 2-18 N318-13-661 1-M4 N350-13-661 1-M4 N236-13-683 1-C5 N370-13-691 2-18 B630-13-696 2-E11 E5A1-13-697A 2-E11 N318-13-698 1-F5 1881-13-510G 1-M5 N318-13-530A 1-C5 N370-13-540 1-C5 N318-13-546 1-C5 N370-13-546 1-M4 N318-13-550 1-N4 N318-13-555A 1-N4 N319-13-556A 1-N4 N318-13-557 1-N4 N318-13-56X 1-N4 N253-13-607A 1-C5 N236-13-631 1-C5 N236-13-638 1-C5
FB67-R1-911A 4-J4 FB67-R1-912A 4-J4 FB67-R1-913A 4-J4 FB67-R1-916 3-E8 FB67-R1-926E 4-K4 FB67-R1-921A02 4-K4 FB67-R1-921A48 4-K4 FB67-R1-926A 4-K4 FB67-R1-930A 4-K4 FB67-R1-940A 4-K4 B235-R1-951C 4-K11 FB67-R1-951E 4-K4 FC54-R1-951B 4-K4 FB67-R1-952E 4-K4 FC54-R1-952B 4-K4 B235-R1-953 4-K4 FB67-R1-954A 3-G14 B235-R1-954B 4-K4	***** * 10-000 * ***** N326-10-B06 1-E3 1-G3 N318-10-B10A 1-G3 N350-10-B10A 1-E3 N318-10-B50C 1-G3 N350-10-B50A 1-E3 N326-10-B71A 1-E3 1-G3 N326-10-B72 1-E3 1-G3 N350-10-C00A 1-J3 N370-10-C00A 1-M3 N370-10-C00B 1-M3 N326-10-C15 1-E3 1-G3 N350-10-C50 1-J3 N350-10-C50A 1-J3 N370-10-C50 1-M3 N370-10-C50A 1-M3	N326-10-205 1-J3 1-M3 1757-10-206A 1-J3 1-M3 1757-10-207A 1-J3 1-M3 1757-10-208 1-J3 1-M3 N249-10-219 1-J3 1-M3 8871-10-250A 1-E3 1-G3 8871-10-252 1-E3 1-G3 8AF5-10-271 1-C3 8AF6-10-271 1-D3 N225-10-305 1-J3 1-M3 1757-10-309 1-J3 1-M3	N350-10-566 1-K3 N318-10-570A 1-M3 N318-10-570B 1-N3 0820-10-605 1-K3 1-M3 N249-10-619 1-C4 1-M3 8871-10-631A 1-K3 1-N3 N231-10-735 4-M4 N225-10-861 1-L3	N326-13-A5YB 1-M5 N326-13-A6YC 1-M5 N332-13-A6YB 1-M5 N326-13-A61 1-M5 N326-13-A63B 1-M5 N332-13-A63 1-M5 N326-13-A64 1-M5 N332-13-A64B 1-M5 N350-13-A64 1-M5 N350-13-A65A 1-M5 N370-13-A65A 1-M5 N326-13-A66 1-M5 N350-13-B70 1-K4 N351-13-B70A 1-K4 N350-13-B73 1-J4 N350-13-B80A 1-K4 N351-13-B80A 1-K4 N350-13-B87 1-K4 N350-13-B96 1-L4	N370-13-140 1-J4 N370-13-140B 1-K4 N350-13-150 1-H5 N351-13-150 1-H5 N370-13-150 1-H5 N371-13-150 1-H5 8574-13-157 1-E7 2-E11 N326-13-158 1-H5 N225-13-160A 1-K4 N318-13-164A 1-D5 1-K5 N350-13-164 1-H5 N370-13-165 1-H5 N326-13-17X 1-M5 N225-13-173A 1-K4 N225-13-184 1-K4 N225-13-186 1-K4 N225-13-188A 1-K4 N350-13-201 1-J5	N319-13-657B 2-18 N318-13-661 1-M4 N350-13-661 1-M4 N236-13-683 1-C5 N370-13-691 2-18 B630-13-696 2-E11 E5A1-13-697A 2-E11 N318-13-698 1-F5 1881-13-510G 1-M5 N318-13-530A 1-C5 N370-13-540 1-C5 N318-13-546 1-C5 N370-13-546 1-M4 N318-13-550 1-N4 N318-13-555A 1-N4 N319-13-556A 1-N4 N318-13-557 1-N4 N318-13-56X 1-N4 N253-13-607A 1-C5 N236-13-631 1-C5 N236-13-638 1-C5
B235-R1-951C 4-K11 FB67-R1-951E 4-K4 FC54-R1-951B 4-K4 FB67-R1-952E 4-K4 FC54-R1-952B 4-K4 B235-R1-953 4-K4 FB67-R1-954A 3-G14 B235-R1-954B 4-K4	***** * 10-000 * ***** N326-10-B06 1-E3 1-G3 N318-10-B10A 1-G3 N350-10-B10A 1-E3 N318-10-B50C 1-G3 N350-10-B50A 1-E3 N326-10-B71A 1-E3 1-G3 N326-10-B72 1-E3 1-G3 N350-10-C00A 1-J3 N370-10-C00A 1-M3 N370-10-C00B 1-M3 N326-10-C15 1-E3 1-G3 N350-10-C50 1-J3 N350-10-C50A 1-J3 N370-10-C50 1-M3 N370-10-C50A 1-M3	N326-10-323 1-E3 1-G3 N326-10-400E 1-K3 1-N3 N326-10-400E 1-K3 1-N3 N225-10-415 1-F3 1-H3 8562-10-417 1-F3 1-H3 N332-10-420B 1-H3 N350-10-420 1-F3 N318-10-424 1-H3 N3Y6-10-427 1-K3 1-N3 N318-10-441 1-G3 N326-10-441 1-E3 N326-10-450A 1-F3 N326-10-450B 1-F3 N332-10-450 1-H3	N350-10-566 1-K3 N318-10-570A 1-M3 N318-10-570B 1-N3 0820-10-605 1-K3 1-M3 N249-10-619 1-C4 1-M3 8871-10-631A 1-K3 1-N3 N231-10-735 4-M4 N225-10-861 1-L3	N326-13-A5YB 1-M5 N326-13-A6YC 1-M5 N332-13-A6YB 1-M5 N326-13-A61 1-M5 N326-13-A63B 1-M5 N332-13-A63 1-M5 N326-13-A64 1-M5 N332-13-A64B 1-M5 N350-13-A64 1-M5 N350-13-A65A 1-M5 N370-13-A65A 1-M5 N326-13-A66 1-M5 N350-13-B70 1-K4 N351-13-B70A 1-K4 N350-13-B73 1-J4 N350-13-B80A 1-K4 N351-13-B80A 1-K4 N350-13-B87 1-K4 N350-13-B96 1-L4	N370-13-140 1-J4 N370-13-140B 1-K4 N350-13-150 1-H5 N351-13-150 1-H5 N370-13-150 1-H5 N371-13-150 1-H5 8574-13-157 1-E7 2-E11 N326-13-158 1-H5 N225-13-160A 1-K4 N318-13-164A 1-D5 1-K5 N350-13-164 1-H5 N370-13-165 1-H5 N326-13-17X 1-M5 N225-13-173A 1-K4 N225-13-184 1-K4 N225-13-186 1-K4 N225-13-188A 1-K4 N350-13-201 1-J5	N319-13-657B 2-18 N318-13-661 1-M4 N350-13-661 1-M4 N236-13-683 1-C5 N370-13-691 2-18 B630-13-696 2-E11 E5A1-13-697A 2-E11 N318-13-698 1-F5 1881-13-510G 1-M5 N318-13-530A 1-C5 N370-13-540 1-C5 N318-13-546 1-C5 N370-13-546 1-M4 N318-13-550 1-N4 N318-13-555A 1-N4 N319-13-556A 1-N4 N318-13-557 1-N4 N318-13-56X 1-N4 N253-13-607A 1-C5 N236-13-631 1-C5 N236-13-638 1-C5
B235-R1-951C 4-K11 FB67-R1-951E 4-K4 FC54-R1-951B 4-K4 FB67-R1-952E 4-K4 FC54-R1-952B 4-K4 B235-R1-953 4-K4 FB67-R1-954A 3-G14 B235-R1-954B 4-K4	***** * 10-000 * ***** N326-10-B06 1-E3 1-G3 N318-10-B10A 1-G3 N350-10-B10A 1-E3 N318-10-B50C 1-G3 N350-10-B50A 1-E3 N326-10-B71A 1-E3 1-G3 N326-10-B72 1-E3 1-G3 N350-10-C00A 1-J3 N370-10-C00A 1-M3 N370-10-C00B 1-M3 N326-10-C15 1-E3 1-G3 N350-10-C50 1-J3 N350-10-C50A 1-J3 N370-10-C50 1-M3 N370-10-C50A 1-M3	N326-10-323 1-E3 1-G3 N326-10-400E 1-K3 1-N3 N326-10-400E 1-K3 1-N3 N225-10-415 1-F3 1-H3 8562-10-417 1-F3 1-H3 N332-10-420B 1-H3 N350-10-420 1-F3 N318-10-424 1-H3 N3Y6-10-427 1-K3 1-N3 N318-10-441 1-G3 N326-10-441 1-E3 N326-10-450A 1-F3 N326-10-450B 1-F3 N332-10-450 1-H3	N350-10-566 1-K3 N318-10-570A 1-M3 N318-10-570B 1-N3 0820-10-605 1-K3 1-M3 N249-10-619 1-C4 1-M3 8871-10-631A 1-K3 1-N3 N231-10-735 4-M4 N225-10-861 1-L3	N326-13-A5YB 1-M5 N326-13-A6YC 1-M5 N332-13-A6YB 1-M5 N326-13-A61 1-M5 N326-13-A63B 1-M5 N332-13-A63 1-M5 N326-13-A64 1-M5 N332-13-A64B 1-M5 N350-13-A64 1-M5 N350-13-A65A 1-M5 N370-13-A65A 1-M5 N326-13-A66 1-M5 N350-13-B70 1-K4 N351-13-B70A 1-K4 N350-13-B73 1-J4 N350-13-B80A 1-K4 N351-13-B80A 1-K4 N350-13-B87 1-K4 N350-13-B96 1-L4	N370-13-140 1-J4 N370-13-140B 1-K4 N350-13-150 1-H5 N351-13-150 1-H5 N370-13-150 1-H5 N371-13-150 1-H5 8574-13-157 1-E7 2-E11 N326-13-158 1-H5 N225-13-160A 1-K4 N318-13-164A 1-D5 1-K5 N350-13-164 1-H5 N370-13-165 1-H5 N326-13-17X 1-M5 N225-13-173A 1-K4 N225-13-184 1-K4 N225-13-186 1-K4 N225-13-188A 1-K4 N350-13-201 1-J5	N319-13-657B 2-18 N318-13-661 1-M4 N350-13-661 1-M4 N236-13-683 1-C5 N370-13-691 2-18 B630-13-696 2-E11 E5A1-13-697A 2-E11 N318-13-698 1-F5 1881-13-510G 1-M5 N318-13-530A 1-C5 N370-13-540 1-C5 N318-13-546 1-C5 N370-13-546 1-M4 N318-13-550 1-N4 N318-13-555A 1-N4 N319-13-556A 1-N4 N318-13-557 1-N4 N318-13-56X 1-N4 N253-13-607A 1-C5 N236-13-631 1-C5 N236-13-638 1-C5

PART NUMBER INDEX / INDEX DES NUMEROS DE PIÉCES / TEILENUMMER-INDEX / INDICE DE NUMERO DE PARTES

BV01-21-677	1-M11	H001-26-114A	2-E3	M055-27-120E	2-D4	0223-27-405A	2-M3	FC04-28-700	2-J4	FB05-32-155	2-J5	FC17-32-980	2-C5
BV01-21-678C	1-L11	H266-26-114	2-E3		2-K3	0223-27-406A	2-F4	FB43-28-8000	2-M4		2-M5	FC17-32-980A	2-C5
BV01-21-679	1-J13	FB01-26-121A	2-E3	P016-27-120F	2-D4		2-M3	FB01-28-830	2-M4	FB01-32-157	2-G5	FC17-32-980B	2-C5
BV01-21-681	1-C13	FB01-26-122	2-E3	M055-27-143	2-E4	0223-27-407A	2-F4	FB43-28-840	2-M4	FB05-32-157	2-G5	FC66-32-980B	2-E5
BV01-21-682	1-C13	FB01-26-132	2-E3		2-K3		2-M3	FB43-28-845B	2-M4	FB01-32-168	2-G5	FC17-32-982	2-D5
BV01-21-684	1-C13	FB01-26-133	2-E3	P016-27-143	2-E4	0223-27-408A	2-F4	FB43-28-855B	2-M4	B001-32-169A	2-H5	FB05-32-986	2-N4
BV01-21-797	1-C13	FB01-26-134	2-E3	M055-27-150B	2-E4		2-N3	FB01-28-880A	2-M4	FB05-32-180	2-J5	FC17-32-986	2-D5
BV01-21-798	1-C13	FB01-26-135	2-E3		2-L4	0223-27-409A	2-G4	FB01-28-890C	2-G4		2-M5		
BV01-21-814	1-C13	FB01-26-136	2-E3	P016-27-150A	2-E4		2-N3	FB01-28-896	2-M4	FB05-32-186	2-M5		
BV01-21-816	1-C13	FB01-26-136	2-E3	P090-27-157	2-E4	0223-27-411A	2-G4	F055-28-919	2-H4	FC01-32-210	2-H5		
BV01-21-821A	1-J13	FB01-26-137	2-E3		2-L3	0223-27-412A	2-G4	FC01-28-980	2-M4	FC01-32-230	2-D6		
		FB05-26-137	2-E3	M055-27-165	2-D4		2-N3			FC02-32-230A	2-D6		
		FB01-26-138	2-E3		2-K3	0223-27-413A	2-G4			FB01-32-240A	2-J5		
			2-E3	P016-27-165A	2-D4		2-M3				2-M5		
			2-E3	P090-27-165	2-D4	0223-27-414A	2-G4			FB01-32-241	2-J5		
			2-E3	M035-27-171	2-E4		2-N3				2-M5		
			2-E3		2-L3	0223-27-415A	2-G4				2-M5		
			2-E3	0305-27-171	2-E4		2-N3				2-M5		
			2-E3	M055-27-172A	2-E4	0223-27-416A	2-G4				2-M5		
			2-E3		2-L3		2-N3				2-M5		
			2-E3		2-L3	M005-27-421	2-G4				2-M5		
			2-E3	M055-27-172B	2-E4		2-N3				2-M5		
			2-E3		2-L3		2-G4				2-M5		
			2-E3	P016-27-172A	2-E4		2-N3				2-M5		
			2-E3	P016-27-172B	2-E4		2-G4				2-M5		
			2-E3	P094-27-200A	2-E4		2-N3				2-M5		
			2-E3	M025-27-210	2-D4		2-G4				2-M5		
			2-E3		2-K3		2-N3				2-M5		
			2-E3	0755-27-210	2-D4		2-G4				2-M5		
			2-E3		2-K3		2-N3				2-M5		
			2-E3	0604-27-220	2-D4		2-G4				2-M5		
			2-E3	M069-27-231	2-L3		2-N3				2-M5		
			2-E3	8051-27-235	2-E4		2-G4				2-M5		
			2-E3		2-K3		2-N3				2-M5		
			2-E3	8051-27-236	2-E4		2-G4				2-M5		
			2-E3		2-L3		2-N3				2-M5		
			2-E3	M0A1-27-238	2-E4		2-G4				2-M5		
			2-E3		2-L3		2-N3				2-M5		
			2-E3	M0A2-27-238	2-E4		2-G4				2-M5		
			2-E3		2-L3		2-N3				2-M5		
			2-E3	P016-27-238	2-E4		2-G4				2-M5		
			2-E3		2-L3		2-N3				2-M5		
			2-E3	M069-27-251	2-L3		2-G4				2-M5		
			2-E3	0290-27-252	2-L3		2-N3				2-M5		
			2-E3	0290-27-253	2-L3		2-G4				2-M5		
			2-E3	0290-27-254	2-L3		2-N3				2-M5		
			2-E3	M025-27-255A	2-M3		2-G4				2-M5		
			2-E3	M025-27-255B	2-M3		2-N3				2-M5		
			2-E3	M025-27-256	2-M3		2-G4				2-M5		
			2-E3	0290-27-256	2-L3		2-N3				2-M5		
			2-E3	0290-27-259	2-L3		2-G4				2-M5		
			2-E3	M025-27-261A	2-M3		2-N3				2-M5		
			2-E3	0114-27-262	2-M3		2-G4				2-M5		
			2-E3	M081-27-270A	2-E4		2-N3				2-M5		
			2-E3	M081-27-270B	2-E4		2-G4				2-M5		
			2-E3	M055-27-270A	2-M3		2-N3				2-M5		
			2-E3	M055-27-270B	2-M3		2-G4				2-M5		
			2-E3	P094-27-270	2-E4		2-N3				2-M5		
			2-E3	P094-27-270A	2-E4		2-G4				2-M5		
			2-E3	M081-27-280A	2-E4		2-N3				2-M5		
			2-E3	M081-27-280B	2-E4		2-G4				2-M5		
			2-E3	P094-27-280	2-E4		2-N3				2-M5		
			2-E3		2-L4		2-G4				2-M5		
			2-E3		2-K6		2-N3				2-M5		
			2-E3		2-L4		2-G4				2-M5		
			2-E3		4-M6		2-N3				2-M5		
			2-E3				2-G4				2-M5		
			2-E3				2-N3				2-M5		
			2-E3				2-G4				2-M5		
			2-E3				2-N3				2-M5		
			2-E3				2-G4				2-M5		
			2-E3				2-N3				2-M5		
			2-E3				2-G4				2-M5		
			2-E3				2-N3				2-M5		
			2-E3				2-G4				2-M5		
			2-E3				2-N3				2-M5		
			2-E3				2-G4				2-M5		
			2-E3				2-N3				2-M5		
			2-E3				2-G4				2-M5		
			2-E3				2-N3				2-M5		
			2-E3				2-G4				2-M5		
			2-E3				2-N3				2-M5		
			2-E3				2-G4				2-M5		
			2-E3				2-N3				2-M5		
			2-E3				2-G4				2-M5		
			2-E3				2-N3				2-M5		
			2-E3				2-G4				2-M5		
			2-E3				2-N3				2-M5		
			2-E3				2-G4				2-M5		
			2-E3				2-N3				2-M5		
			2-E3				2-G4				2-M5		
			2-E3				2-N3				2-M5		
			2-E3				2-G4				2-M5		
			2-E3				2-N3				2-M5		
			2-E3				2-G4				2-M5		
			2-E3				2-N3				2-M5		
			2-E3				2-G4				2-M5		
			2-E3				2-N3				2-M5		
			2-E3				2-G4				2-M5		
			2-E3				2-N3				2-M5		
			2-E3				2-G4				2-M5		
			2-E3				2-N3				2-M5		
			2-E3				2-G4				2-M5		
			2-E3				2-N3				2-M5		
			2-E3				2-G4				2-M5		
			2-E3				2-N3				2-M5		
			2-E3				2-G4				2-M5		
			2-E3				2-N3				2-M5		
			2-E3				2-G4				2-M5		
			2-E3				2-N3				2-M5		
			2-E3				2-G4				2-M5		
			2-E3				2-N3				2-M5		
			2-E3				2-G4				2-M5		
			2-E3				2-N3				2-M5		
			2-E3				2-G4				2-M5		
			2-E3				2-N3				2-M5		
			2-E3				2-G4				2-M5		
			2-E3				2-N3				2-M5		
			2-E3				2-G4				2-M5		
			2-E3				2-N3				2-M5		
			2-E3				2-G4				2-M5		
			2-E3				2-N3				2-M5		
			2-E3				2-G4				2-M5		
			2-E3				2-N3				2-M5		
			2-E3				2-G4				2-M5		
			2-E3				2-N3				2-M5		
			2-E3				2-G4				2-M5		
			2-E3				2-N3				2-M5		
			2-E3				2-G4				2-M5		
			2-E3				2-N3				2-M5		
			2-E3				2-G4				2-M5		
			2-E3				2-N3				2-M5		
			2-E3				2-G4				2-M5		
			2-E3				2-N3				2-M5		
			2-E3				2-G4				2-M5		
			2-E3				2-N3				2-M5		
			2-E3				2-G4				2-M5		
			2-E3				2-N3				2-M5		
			2-E3				2-G4				2-M5		
			2-E3										

PART NUMBER INDEX / INDEX DES NUMEROS DE PIECES / TEILENUMMER-INDEX / INDICE DE NUMERO DE PARTES

***** * 50-000 * *****	FC01-50-6W0A3G 3-H4 FC01-50-6W0A5D 3-H4 FC01-50-6W0A6H 3-H4 FB01-50-601A 3-L3 FB01-50-611C 3-L3 FB01-50-615C 3-L3 F044-50-650B 3-G6 F044-50-653A 3-G6 F044-50-655A 3-G6 F044-50-655B 3-G6 F044-50-656A 3-G6 FC01-50-681APZ 3-F4 FC01-50-681ASQ 3-F4 FC01-50-681AUC 3-F4 FC01-50-681AWY 3-F4 FC01-50-681AIF 3-F4 FC01-50-681A3G 3-F4 FC01-50-681A5D 3-F4 FC01-50-681A6H 3-F4 FC01-50-682 PZ 3-F4	8AF1-50-860 3-L3 8AF1-50-870 3-L3 FB01-50-891 4-M3 FB01-50-893 4-M3 4-N3 FB67-50-894 4-N3 FB01-50-895A 4-M3 FB01-50-896 4-M3 FB01-50-897 4-M3 4-N3 B250-50-9V2 3-F6 H005-50-905 3-K3 FB01-50-942A 3-M3 FB01-50-943A 3-M3 FB01-50-945 3-E4 FB01-50-981B 3-D14 FB67-50-981A 3-G14 FB01-50-985B 3-D14 FB67-50-985A 3-G14	FC17-51-PS7 PZ 3-C4 FC17-51-PS7 SQ 3-C4 FC17-51-PS7 UC 3-C4 FC17-51-PS7 WF 3-C4 FC17-51-PS7 3G 3-C4 FC17-51-PS7 5D 3-D4 FC17-51-PS7 6H 3-D4 FC17-51-PS8 PZ 3-D4 FC17-51-PS8 SQ 3-D4 FC17-51-PS8 UC 3-D4 FC17-51-PS8 WF 3-D4 FC17-51-PS8 3G 3-D4 FC17-51-PS8 5D 3-D4 FC17-51-PS9 3-M3 FB01-51-061 3-L4 FB06-51-031 3-L4 FB01-51-032 3-L4	FC33-51-170A 3-I5 FB01-51-172 3-K5 FC01-51-180 3-I5 FC01-51-180A 3-I5 FC33-51-180 3-I5 FC33-51-180A 3-I5 8BF1-51-270 3-K5 FB67-51-272 3-K5 FB67-51-273 3-K5 FB67-51-276 3-K5 FB01-51-360B 3-J4 FB01-51-370B 3-J4 G113-51-401 3-J3 3972-51-402 3-J3 FB01-51-403A 3-J3 FB01-51-404A 3-J3 FB01-51-405A 3-J3 FB01-51-406A 3-J3 8965-51-406 3-J3 FB01-51-407 3-J3	FC04-51-667 3-E5 FC04-51-668 3-E5 FC04-51-669 3-E5 FC01-51-6H0A 3-E5 FC04-51-6H1 3-E5 FC01-51-6H2 3-E5 FC04-51-6H2 3-E5 FC04-51-6H3 3-F5 FC04-51-6H5 3-E5 FC04-51-6H6A 3-E5 FC04-51-6H7 3-E5 FC01-51-6H9 3-E5 FC04-51-6H9 3-E5 8AF2-51-610 3-K4 8AF3-51-610 3-K4 FB01-51-611 3-L4 FB01-51-621A 3-L4 FB01-51-622A 3-L4 FB01-51-623 3-J4	FC17-51-9H0A3G 4-E13 FC17-51-9H0A5D 4-E13 FC17-51-9H0A6H 4-E13 FC01-51-9J1A 4-E13 FC01-51-9K1A 4-E13 FB01-51-9K2 3-D4 FB02-51-9LXB 4-E13 FC01-51-9L1A 4-E13 FB02-51-9MXB 4-E13 S232-51-906 3-G3 FC01-51-910 3-F6 F044-51-912 3-F6 FC01-51-917 3-F6 FB01-51-920A 3-F6 FB01-51-922 3-F6 FC01-51-930 3-F6 FB01-51-940A 3-F6 FC17-51-960APZ 4-F13 FC17-51-960ASQ 4-F13 FC17-51-960AUC 4-F13	
FC01-50-180 3-F3 FC01-50-1C0 3-F3 FC01-50-1D0 3-G3 FC01-50-1E0 3-G3 KA01-50-162 3-F3 FC01-50-111 3-G3 FC01-50-112 3-G3 FB01-50-132 3-F3 FB01-50-133 3-G3 FB01-50-140 3-F3 FB01-50-144 3-G3 3597-50-152 3-H3 FC01-50-180 3-F3 FC01-50-221A 3-H3 BF82-50-233 3-G5 FB01-50-280 3-H3 G030-50-285 3-H3 FB01-50-290 3-H3 FC01-50-312 3-H3 FC01-50-313 3-H3	FC01-50-682 SQ 3-F4 FC01-50-682 UC 3-F4 FC01-50-682 WY 3-F4 FC01-50-682 1F 3-F4 FC01-50-682 3G 3-F4 FC01-50-682 3D 3-F4 FC01-50-682 6H 3-F4 FC01-50-683APZ 3-G4 FC01-50-683ASQ 3-G4 FC01-50-683AUC 3-G4 FC01-50-683AWY 3-G4 FC01-50-683A1F 3-G4 FC01-50-683A3G 3-G4 FC01-50-683A5D 3-G4 FC01-50-683A6H 3-G4 FC01-50-691APZ 3-F4 FC01-50-691ASQ 3-F4 FC01-50-691AUC 3-F4 FC01-50-691AWY 3-F4 FC01-50-691A1F 3-F4	FC17-51-PJ0APZ 3-M3 FC17-51-PJ0ASQ 3-M3 FC17-51-PJ0AUC 3-M3 FC17-51-PJ0AWY 3-M3 FC17-51-PJ0A1F 3-M3 FC17-51-PJ0A3G 3-M3 FC17-51-PJ0A5D 3-M3 FC17-51-PJ0A6H 3-M3 FC17-51-PJ2 3-M3 FC17-51-PK0APZ 3-N3 FC17-51-PK0ASQ 3-N3 FC17-51-PK0AUC 3-N3 FC17-51-PK0AWY 3-N3 FC17-51-PK0A1F 3-N3 FC17-51-PK0A3G 3-N3	8BF1-51-032 3-L4 BA03-51-033 3-L4 8239-51-035 3-L4 FB01-51-036 3-L4 FC42-51-036 3-L4 FB01-51-037 3-L4 FB01-51-042 3-L4 8BF1-51-042 3-L4 FB01-51-047 3-L4 8BF4-51-060 3-C5 FC01-51-061 3-C5 FC01-51-062 3-C5 FC01-51-065 3-C5 FC01-51-066 3-C5 8BF4-51-070 3-C5 FC01-51-071 3-C5 FC01-51-072 3-C5 FC01-51-076 3-C5 FC01-51-101 3-M5 FC33-51-101 3-M5	FB01-51-408 4-K12 FB01-51-411A 3-J4 8871-51-411 3-J4 FB01-51-421A 3-J4 FC01-51-440 02 3-M5 FC01-51-441 3-M5 8545-51-460 3-M5 8545-51-461 3-M5 FC01-51-5E1 3-C5 FC01-51-5E2 3-D5 FC01-51-5F1 3-D5 FB01-51-510E 3-J4 FB01-51-510F 3-J4 FB01-51-511A 3-J4 H001-51-511 3-J4 FB01-51-512 3-J4 FB01-51-513D 3-K4 H001-51-513 3-M4 FB01-51-514 3-K4 FB01-51-514A 3-K4	FC04-51-675 3-F5 FC04-51-680A 3-E5	FC04-51-685 3-F5 FC04-51-688A 3-F5 FC04-51-690A 3-F5 FC04-51-698 3-F5 FB02-51-720 4-C6 FB02-51-740 4-C6 FB05-51-761 01 3-C6 FB05-51-761 08 4-C6 FB51-51-761 08 3-C6 FB51-51-761 10 3-C6 FC02-51-761 18 3-C6 FC02-51-761 30 3-C6 FC05-51-761 18 3-C6 FC05-51-761 30 3-C6 H001-51-782 3-C6 FC01-51-811 3-K3 FC01-51-812 3-J3 FC01-51-813 3-J3 B002-51-814 3-J3 FB01-51-814 3-J3	FB02-51-964A 4-G13 FB01-51-966B 4-G13 FB02-51-966 4-G13 FC17-51-967 4-G13 FC17-51-968 4-G13 FC17-51-969 4-G13 8129-51-993 3-D4
H115-50-313A 3-E4 FB01-50-321 3-H3 FB01-50-330B 3-H3 FB01-50-350 3-H3 FB01-50-360 3-H3 FB01-50-370 3-H3 FB01-50-380 3-H3 FB01-50-390 3-I3 F044-50-425 3-I6 H260-50-6A7 3-L3 FB01-50-6A8 3-L3 FC01-50-6R0APZ 3-E4 FC01-50-6R0ASQ 3-E4 FC01-50-6R0AUC 3-E4 FC01-50-6R0AWY 3-E4 FC01-50-6R0A1F 3-E4 FC01-50-6R0A3G 3-E4 FC01-50-6R0A5D 3-E4 FC01-50-6R0A6H 3-E4 FC01-50-6S0APZ 3-E4	FC01-50-691A3G 3-F4 FC01-50-691A5D 3-F4 FC01-50-691A6H 3-F4 FC01-50-692 PZ 3-F4 FC01-50-692 SQ 3-F4 FC01-50-692 UC 3-F4 FC01-50-692 WY 3-F4 FC01-50-692 1F 3-G4 FC01-50-692 3G 3-G4 FC01-50-692 5D 3-G4 FC01-50-692 6H 3-G4 FC01-50-693APZ 3-G4 FC01-50-693ASQ 3-G4 FC01-50-693AUC 3-G4 FC01-50-693AWY 3-G4 FC01-50-693A1F 3-G4 FC01-50-693A3G 3-G4 FC01-50-693A5D 3-G4 FC01-50-693A6H 3-G4 F044-50-7M1 3-G6	FC17-51-PK0A5D 3-N3 FC17-51-PK0A6H 3-N3 FC17-51-PK0BPZ 3-N3 FC17-51-PK0BSQ 3-N3 FC17-51-PK0BUC 3-N3 FC17-51-PK0BWF 3-N3 FC17-51-PK0B1F 3-N3 FC17-51-PK0B3G 3-N3 FC17-51-PK0B5D 3-N3 FC17-51-PK0B6H 3-N3 FC17-51-PP0APZ 3-M3 FC17-51-PP0ASQ 3-M3 FC17-51-PP0AUC 3-M3 FC17-51-PP0AWY 3-M3 FC17-51-PP0A1F 3-M3 FC17-51-PP0A3G 3-M3 FC17-51-PP0A5D 3-M3 FC17-51-PP0A6H 3-M3 FC17-51-PR0APZ 3-N3 FC17-51-PR0ASQ 3-N3	FC01-51-1H1 3-H5 FC33-51-1H1 3-H5 8BF1-51-120 3-C5 8BF5-51-120 3-C5 FB01-51-123 3-D5 8BF1-51-130 3-C5 8BF5-51-130 3-C5 FB01-51-133 3-D5 FB01-51-141 3-H5 FB67-51-141 3-H5 8BF4-51-150 3-H5 8BF8-51-150 3-H5 FC01-51-151 3-H5 FC01-51-151A 3-H5 FC33-51-151 3-H5 FC33-51-151A 3-H5 FC01-51-152 3-J5 FC01-51-152A 3-J5 FC01-51-155 3-H5 FB01-51-156 3-I5	8BF1-51-568 3-K5 FB01-51-565 3-L5 FB01-51-580B 3-J5 FB01-51-582A 3-J5 FB01-51-583A 3-J5 FB01-51-584A 3-J5 FB01-51-586 3-J5 FB01-51-587 3-J5 FB05-51-590 3-H16 3-J15 FB05-51-591 3-H16 3-J15 FC01-51-600A 3-D5 FC04-51-661 3-D5 FC01-51-662 3-D5 FC04-51-662 3-D5 FC04-51-663 3-F5 FC04-51-664 3-D5 FC04-51-665 3-D5 FC04-51-666A 3-D5	UB39-51-815 4-L8 FB01-51-816 3-J3 4-J8 4-L8 3-J3 4-L8 3-K3 3-E7 3-J7 3-N6 3-K3 3-F6 3-D4 3-D4 4-E13 4-E13 4-E13 3-D5 3-D5 3-J6 3-J6	FB01-52-410E 3-G6 FB13-52-410E 3-G6 FB01-52-420E 3-M6 FB13-52-420E 3-M6 0866-52-451 3-M4 FB01-52-510D 3-M6 FB01-52-512 3-M6 FB01-52-514B 3-M6 FB67-52-514 3-M6 FB01-52-518 3-M6 FB01-52-519A 3-M6 FB67-52-610A 3-J6 FB67-52-710A 3-J6 FB67-52-720A 3-J6 FB67-52-750 3-E8 FB67-52-760 3-E8	
FC01-50-6S0ASQ 3-E4 FC01-50-6S0AUC 3-E4 FC01-50-6S0AWY 3-E4 FC01-50-6S0A1F 3-E4 FC01-50-6S0A3G 3-E4 FC01-50-6S0A5D 3-E4 FC01-50-6S0A6H 3-E4 G043-50-753 3-E6 FB01-50-790B 3-E6 FB01-50-792 3-E6 FB01-50-795A 3-F6 UB39-50-795 3-M4 FB01-50-818 3-E6 FB01-50-861 3-E6 FB67-50-850B 3-E6 FC01-50-850 3-E6 FB67-50-852 3-E6 FB67-50-853 3-E6 FB67-50-854 3-E6 FB67-50-855A 3-E6 FB67-50-856A 3-F6 FB67-50-857A 3-E6	F044-50-7M1A 3-G6 F044-50-7M2 3-G6 FB01-50-7P1A 3-E6 FB01-50-733 4-E13 G043-50-753 3-E6 FB67-50-764A 4-K11 FB01-50-790B 3-E6 FB01-50-792 3-E6 FB01-50-795A 3-F6 UB39-50-795 3-M4 FB01-50-818 3-E6 FB01-50-861 3-E6 FB67-50-850B 3-E6 FC01-50-850 3-E6 FB67-50-852 3-E6 FB67-50-853 3-E6 FB67-50-854 3-E6 FB67-50-855A 3-E6 FB67-50-856A 3-F6 FB67-50-857A 3-E6	FC17-51-PR0AUC 3-N3 FC17-51-PR0AWY 3-N3 FC17-51-PR0A1F 3-N3 FC17-51-PR0A3G 3-N3 FC17-51-PR0A5D 3-N3 FC17-51-PR0A6H 3-N3 FC17-51-PROBPZ 3-C4 FC17-51-PROBSQ 3-C4 FC17-51-PROBUC 3-C4 FC17-51-PROBWF 3-C4 FC17-51-PROB1F 3-C4 FC17-51-PROB3G 3-C4 FC17-51-PROB5D 3-C4 FC17-51-PROB6H 3-C4 FC17-51-PS1A 3-C4 FC17-51-PS2 3-C4 FC17-51-PS3 3-C4 FC17-51-PS5 3-C4 FC17-51-PS6 3-C4 FC18-51-PS6 3-C4	FB01-51-157 3-K5 FC01-51-159 3-I5 FC01-51-159A 3-I5 FC33-51-159 3-I5 FC33-51-159A 3-I5 8BF4-51-160 3-H5 8BF8-51-160 3-H5 FC01-51-161 3-I5 FC01-51-161A 3-I5 FC33-51-161 3-I5 FC33-51-161A 3-I5 FC01-51-162 3-J5 FC01-51-162A 3-J5 FC01-51-169 3-I5 FC01-51-169A 3-I5 FC33-51-169 3-I5 FC33-51-169A 3-I5 FC01-51-170 3-H5 FC01-51-170A 3-I5 FC33-51-170 3-I5	8BF1-51-568 3-K5 FB01-51-565 3-L5 FB01-51-580B 3-J5 FB01-51-582A 3-J5 FB01-51-583A 3-J5 FB01-51-584A 3-J5 FB01-51-586 3-J5 FB01-51-587 3-J5 FB05-51-590 3-H16 3-J15 FB05-51-591 3-H16 3-J15 FC01-51-600A 3-D5 FC04-51-661 3-D5 FC01-51-662 3-D5 FC04-51-662 3-D5 FC04-51-663 3-F5 FC04-51-664 3-D5 FC04-51-665 3-D5 FC04-51-666A 3-D5	FB01-51-815 4-L8 FB01-51-816 3-J3 4-J8 4-L8 3-J3 4-L8 3-K3 3-E7 3-J7 3-N6 3-K3 3-F6 3-D4 3-D4 4-E13 4-E13 4-E13 3-D5 3-D5 3-J6 3-J6	FB01-52-410E 3-G6 FB13-52-410E 3-G6 FB01-52-420E 3-M6 FB13-52-420E 3-M6 0866-52-451 3-M4 FB01-52-510D 3-M6 FB01-52-512 3-M6 FB01-52-514B 3-M6 FB67-52-514 3-M6 FB01-52-518 3-M6 FB01-52-519A 3-M6 FB67-52-610A 3-J6 FB67-52-710A 3-J6 FB67-52-720A 3-J6 FB67-52-750 3-E8 FB67-52-760 3-E8	
FC01-50-6W0A1F 3-H4	FC01-50-6W0A3G 3-H4 FC01-50-6W0A5D 3-H4 FC01-50-6W0A6H 3-H4 FB01-50-601A 3-L3 FB01-50-611C 3-L3 FB01-50-615C 3-L3 F044-50-650B 3-G6 F044-50-653A 3-G6 F044-50-655A 3-G6 F044-50-655B 3-G6 F044-50-656A 3-G6 FC01-50-681APZ 3-F4 FC01-50-681ASQ 3-F4 FC01-50-681AUC 3-F4 FC01-50-681AWY 3-F4 FC01-50-681A1F 3-F4 FC01-50-681A3G 3-F4 FC01-50-681A5D 3-F4 FC01-50-681A6H 3-F4 FC01-50-682 PZ 3-F4	8AF1-50-860 3-L3 8AF1-50-870 3-L3 FB01-50-891 4-M3 FB01-50-893 4-M3 4-N3 FB67-50-894 4-N3 FB01-50-895A 4-M3 FB01-50-896 4-M3 FB01-50-897 4-M3 4-N3 B250-50-9V2 3-F6 H005-50-905 3-K3 FB01-50-942A 3-M3 FB01-50-943A 3-M3 FB01-50-945 3-E4 FB01-50-981B 3-D14 FB67-50-981A 3-G14 FB01-50-985B 3-D14 FB67-50-985A 3-G14	FC17-51-PS7 PZ 3-C4 FC17-51-PS7 SQ 3-C4 FC17-51-PS7 UC 3-C4 FC17-51-PS7 WF 3-C4 FC17-51-PS7 3G 3-C4 FC17-51-PS7 5D 3-D4 FC17-51-PS7 6H 3-D4 FC17-51-PS8 PZ 3-D4 FC17-51-PS8 SQ 3-D4 FC17-51-PS8 UC 3-D4 FC17-51-PS8 WF 3-D4 FC17-51-PS8 3G 3-D4 FC17-51-PS8 5D 3-D4 FC17-51-PS9 3-M3 FB01-51-061 3-L4 FB06-51-031 3-L4 FB01-51-032 3-L4	FC33-51-170A 3-I5 FB01-51-172 3-K5 FC01-51-180 3-I5 FC01-51-180A 3-I5 FC33-51-180 3-I5 FC33-51-180A 3-I5 8BF1-51-270 3-K5 FB67-51-272 3-K5 FB67-51-273 3-K5 FB67-51-276 3-K5 FB01-51-360B 3-J4 FB01-51-370B 3-J4 G113-51-401 3-J3 3972-51-402 3-J3 FB01-51-403A 3-J3 FB01-51-404A 3-J3 FB01-51-405A 3-J3 FB01-51-406A 3-J3 8965-51-406 3-J3 FB01-51-407 3-J3	FC04-51-667 3-E5 FC04-51-668 3-E5 FC04-51-669 3-E5 FC01-51-6H0A 3-E5 FC04-51-6H1 3-E5 FC01-51-6H2 3-E5 FC04-51-6H2 3-E5 FC04-51-6H3 3-F5 FC04-51-6H5 3-E5 FC04-51-6H6A 3-E5 FC04-51-6H7 3-E5 FC01-51-6H9 3-E5 FC04-51-6H9 3-E5 8AF2-51-610 3-K4 8AF3-51-610 3-K4 FB01-51-611 3-L4 FB01-51-621A 3-L4 FB01-51-622A 3-L4 FB01-51-623 3-J4	FC17-51-9H0A3G 4-E13 FC17-51-9H0A5D 4-E13 FC17-51-9H0A6H 4-E13 FC01-51-9J1A 4-E13 FC01-51-9K1A 4-E13 FB01-51-9K2 3-D4 FB02-51-9LXB 4-E13 FC01-51-9L1A 4-E13 FB02-51-9MXB 4-E13 S232-51-906 3-G3 FC01-51-910 3-F6 F044-51-912 3-F6 FC01-51-917 3-F6 FB01-51-920A 3-F6 FB01-51-922 3-F6 FC01-51-930 3-F6 FB01-51-940A 3-F6 FC17-51-960APZ 4-F13 FC17-51-960ASQ 4-F13 FC17-51-960AUC 4-F13	

PART NUMBER INDEX / INDEX DES NUMEROS DE PIECES / TEILENUMMER-INDEX / INDICE DE NUMERO DE PARTES

***** * 53-000 *	FB67-53-38YC 3-G7 FB01-53-391A 3-G7 FB67-53-391A 3-H7 FB01-53-510C 3-K7 FB67-53-510C 3-K7 FC66-53-510 3-K7 FC56-53-59X 3-H7 FB01-53-592B 3-L7 FB67-53-592 3-E8 FC01-53-600 3-M8 FC07-53-600 3-M8 FC33-53-600A 3-D9 FC47-53-600A 3-D9 FB67-53-603A 3-D9 FB67-53-606 3-D9 FB67-53-607A 3-D9 FB67-53-612A 3-D9 FB67-53-660 3-D9 FC01-53-660 3-M8 F056-53-660 3-D9	***** * 54-000 *	FB67-54-021 3-C7 FB67-54-101 3-D7 FB67-54-102 3-D7 FB67-54-103 3-D7 FB01-54-110B 3-D7 FB01-54-12XD 3-M6 FB01-54-12XE 3-M6 FB67-54-12XC 3-D7 FB67-54-12XD 3-D7 FB01-54-120C 3-M6 FB01-54-120D 3-M6 FB01-54-131A 3-M6	FC33-54-790 3-I8 FB01-54-796 3-C9 3-G9 FB67-54-81XA 3-G9 FB67-54-81YA 3-G9 FC01-54-810 3-C9 FC01-54-810A 3-C9 FC33-54-810 3-G9 FC33-54-810A 3-G9 FB01-54-895B 3-C9 FB67-54-917 3-G9 FB67-54-94X 3-G9 FB01-54-950 3-C9 FB67-54-950 3-G9	FC06-55-710 3-D10 FC33-55-710 3-D10 FC66-55-710 3-D10 FB01-55-713 3-D10 FB01-55-714 3-D10 ***** * 56-000 *	FB67-56-740 3-I6 FB67-56-76XB 3-K9 FB01-56-761 3-I7 FC01-56-770 3-H6 FB01-56-780D 3-I6 FB67-56-780 3-G9 FB01-56-786A 3-I6 FB01-56-787A 3-I6 FB01-56-788 3-I6 UB39-56-799 4-K12 FB67-56-802 3-J6 FB01-56-81X 3-E7 FC01-56-812 3-E7 FC01-56-811 3-E7 FB01-56-812 3-E7 FB67-56-820 3-J6	NA01-57-K92 4-K12 FC67-57-K95 2-F5 FC66-57-K93 2-F5 FC66-57-K99 2-F5 B455-57-05X 3-F13 3-L11 UB40-57-05X 3-F13 3-L11 FCY3-57-100 02 3-F13 FCY3-57-100 48 3-F13 FCY4-57-100 02 3-L11 FCY4-57-100 48 3-L11 FCY5-57-100 02 3-L11 FCY5-57-100 48 3-L11 FC11-57-100A02 3-L11 FC11-57-100A19 3-L11 FC11-57-100A48 3-L11 FC11-57-100B02 3-M11 FC11-57-100B19 3-M11 FC11-57-100C02 3-M11 FC11-57-100C19 3-M11 FC12-57-100A02 3-L11 FC12-57-100A19 3-L11 FC14-57-100A48 3-L11 FC14-57-100B02 3-M11 FC14-57-100B19 3-M11 FC14-57-100C48 3-M11 FC14-57-100C02 3-M11 FC14-57-100C19 3-M11
FB67-53-12XD 3-C7 FB01-53-120B 3-L6 FB01-53-120C 3-L6 FB01-53-131A 3-L6 0187-53-134 4-I3 FB01-53-150D 3-L6 FB67-53-150 3-C7 FC66-53-150 3-L6 FB01-53-160 3-L6 FB67-53-160 3-C7 0305-53-160 3-G9 3-K7 3-L7	FB01-53-685 3-D9 3-M8 FB67-53-698 3-G8 FC01-53-710 3-D9 3-M8 FC01-53-710A 3-D9 3-M8 FB67-53-726A 3-G9 FB01-53-731B 3-D9 3-M8 FB01-53-732 3-M8 3-D9 FB01-53-732A 3-M8 3-L7 FC01-53-74X 3-M8 FC33-53-74X 3-D9 FC66-53-750 3-C7 FB01-53-751 3-M8 3-L6 FC01-53-18X 3-C7	FC01-54-190 3-D7 3-M6 FB01-54-192 3-D7 3-M6 FB01-54-200J 3-H7 FB01-54-200K 3-H7 FB67-54-200H 3-H7 FC01-54-200 3-H7 FC33-54-200 3-H7 FC49-54-200 3-H7 FC49-54-200A 3-H7 FC46-54-200 3-H7 FB01-54-210M 3-G7 FB01-54-210N 3-G7 FB67-54-210G 3-G7 FB01-54-210H 3-G7 FC01-54-210 3-G7 FC33-54-210 3-G7 FC49-54-210 3-G7 FB67-54-210 3-G7	FC01-55-210A 3-C10 FC01-55-212 3-C10 FB01-55-216A 3-J10 B001-55-225A 4-G5 FC01-55-225 3-F10 FC03-55-23Y 4-H6 FC03-55-235 4-H6 FC04-55-235 4-H6 B092-55-257 3-C10 FC01-55-257 3-C10 8545-55-261 3-H10 8548-55-261 3-H10 FC07-55-280 3-E11 G032-55-280A 3-C10 8531-55-422 3-E11 FC01-55-422 3-F10 FC66-55-420 3-F10 FB01-55-422 3-F10 FC01-55-423 3-F10 FB01-55-423 3-F10	FB31-56-058 3-I9 FB01-56-111C 3-J9 FC01-56-130 3-I7 FC33-56-130 3-I7 FC66-56-130 3-I7 8173-56-135 3-I7 FC01-56-140 3-I7 FC33-56-140 3-I7 FC66-56-140 3-I7 FB01-56-172A 2-F7 FB01-56-176 2-F7 G030-56-176 2-F7 FB01-56-177 2-F7 FB01-56-181A 3-I7 FB01-56-182A 3-I7 FB01-56-19XA 3-J9 FB01-56-191A 3-J9 FB01-56-192A 3-J9 FB01-56-22X 3-I7 FC66-56-220A 3-I7	FB67-56-835 3-J6 FB67-56-840 3-I6 FB02-56-850D 2-F9 4-J3 FB02-56-85GE 4-J3 8BF1-56-860 3-J6 FB01-56-870B 4-J3 8BF1-56-870 3-J6 FB01-56-880B 4-J3 FB01-56-880C 4-J3 FB67-56-890 2-F9 FB67-56-890 3-E8 B130-56-897 3-I6 FB67-56-904 3-I6 0820-56-905 3-G3 FB01-56-920 3-K9 FB67-56-920D 3-J6 FB67-56-920F 3-J6 FB67-56-920G 3-J6 FB67-56-930D 3-K6	FC11-57-100C02 3-M11 FC11-57-100C19 3-M11 FC11-57-100C48 3-L11 FC13-57-100A02 3-L11 FC13-57-100A19 3-L11 FC13-57-100A48 3-L11 FC13-57-100B02 3-M11 FC13-57-100B19 3-M11 FC13-57-100B48 3-M11 FC14-57-100A02 3-L11 FC14-57-100A19 3-L11 FC14-57-100A48 3-L11 FC14-57-100B02 3-M11 FC14-57-100B19 3-M11 FC14-57-100C48 3-M11 FC14-57-100C02 3-M11 FC14-57-100C19 3-M11 FC14-57-100C48 3-M11 FC17-57-100A48 3-L11 FC17-57-100B02 3-L11 FC17-57-100B19 3-L11 FC17-57-100B48 3-L11 0259-57-109 3-F13 3-M11 FCY3-57-150 02 3-F13 FCY3-57-150 48 3-F13 FCY4-57-150 02 3-M11 FCY4-57-150 48 3-M11 FCY5-57-150 02 3-M11 FCY5-57-150 48 3-M11 FC11-57-150A02 3-M11 FC11-57-150A19 3-M11 FC11-57-150A48 3-M11 0866-56-971 3-I9 FB01-56-981D 1-J11 FC01-56-99X 3-K9 FB01-56-990B 3-J9	
FB34-53-210G 3-F7 FB34-53-210H 3-F7 FB67-53-210C 3-F7 FB67-53-210D 3-F7 FC01-53-210 3-F7 FC33-53-210 3-F7 FC49-53-210 3-F7 FC66-53-210 3-G7 FB34-53-225 3-G7 FB01-53-240 3-G7 FC66-53-240B 3-G7 FC66-53-240C 3-G7 FB01-53-250A 3-G7 FB01-53-287A 3-L7 FB67-53-287 3-E8 FB01-53-289 3-E8	FB01-53-760B 3-M8 FB01-53-760H 3-M8 FB67-53-760A 3-E9 FB67-53-760B 3-E9 0305-53-781A 3-D7 3-E8 3-M6 FC01-53-790 3-M8 FC33-53-790 3-G8 FB01-53-796 3-E9 3-M8 FB67-53-81XA 3-E9 FB67-53-81YA 3-E9 FC01-53-810 3-N8 FC33-53-810 3-E9 FB01-53-895B 3-N8 FC66-53-91X 3-E9 3-N8 FB67-53-910B 3-E9 FC01-53-910 3-E9	FC01-54-310 3-H7 FC33-54-310 3-H7 FB02-55-447B 3-C10 FC01-55-447 3-I10 FC02-55-448 3-C10 FC06-55-448 3-C10 FC07-55-448 3-H10 FC33-55-448 3-C10 FC66-55-448 3-D10 FC07-55-449 3-H10 FC17-55-451 3-I10 FC07-55-452 3-I10 FC01-55-461 3-I10 FC07-55-461 3-I10 FC17-55-461 3-I10 A01-55-465 3-H10 KA01-55-466 3-H10 FC01-55-471 3-I10 FC17-55-471 3-I10 FC01-55-481 3-I10 FC17-55-481 3-I10 FC01-55-489 3-I10 FC01-55-491 3-I10 FC66-55-616 4-I5 FC67-55-617 4-I5 F055-55-71XB02 3-D10 F055-55-71XB19 3-D10 F055-55-71XB48 3-D10 FC02-55-710 3-D10	FB01-56-221A 3-I7 FC66-56-230A 3-I7 FB01-56-231A 3-I7 0243-56-231 1-J11 0118-56-241 4-I3 8477-56-241 3-H9 0118-56-242B 3-H9 FB01-56-26X 3-J9 FB01-56-260F 3-J9 FC01-56-27X 3-M13 FC01-56-27 3-M13 FB01-56-280C 3-J9 FB67-56-352A 3-J9 FB67-56-353A 3-J9 FB67-56-361YA 3-J9 FB01-56-361A 3-M6 3-D7 FB01-56-410B 3-J9 FB01-56-414 2-L10 3-K9	FB67-56-930F 3-K6 FB01-56-940 3-K9 FB67-56-940D 3-J6 FB67-56-940E 3-J6 FB67-56-940F 3-K6 FB01-56-944 3-K9 FB67-56-952 3-K6 FB67-56-960A 2-F7 FB01-56-961B 2-F7 FB03-56-961B 2-F7 FB01-56-963 3-E7 3-N6 FB01-56-964 3-E7 3-N6 FB01-56-971 2-F7 FB67-56-971 2-F7 0866-56-971 3-I9 FB01-56-981D 1-J11 FC01-56-99X 3-K9 FB01-56-990B 3-J9	***** * 57-000 *	FC66-57-K00A 2-E5 FC66-57-K1XC 2-E5 FC66-57-K1XD 2-E5 FC66-57-K2XE 2-E5 FC66-57-K2YG 2-F5 FC66-57-K2ZE 2-F5 FC66-57-K2ZG 2-F5 FC66-57-K40B 2-F5 FC66-57-K46 2-F5 FC66-57-K9XB 3-I7 FC66-57-K9YB 3-I7 NA01-57-K91 2-F5 4-K12 NA01-57-K92 2-F5	FC13-57-150A19 3-M11 FC13-57-150A48 3-M11 FC13-57-150B02 3-M11 FC13-57-150B19 3-M11 FC13-57-150B48 3-M11 FC17-57-150A02 3-M11 FC17-57-150A48 3-M11 FC04-57-200 02 3-K13 FC04-57-200 48 3-K13 FC04-57-350 02 3-K13 FC04-57-350 19 3-K13 FC04-57-350 48 3-K13 FB09-57-510 3-K13 FB10-57-550 3-K13 FB10-57-560 3-K13 FB10-57-620C02 3-C14 FB10-57-620C48 3-C14 FC01-57-620A02 3-M13 FC01-57-620A19 3-M13

PART NUMBER INDEX / INDEX DES NUMEROS DE PIECES / TEILENUMMER-INDEX / INDICE D. NUMERO DE PARTES

3625-75-139	3-C10 3-H10	FB69-88-110 02 3-G13 FB69-88-110 48 3-C13 FCX7-88-110B02 3-E12 FCX7-88-110B48 3-E12 FCY4-88-110A02 3-E12 FCY4-88-110A48 3-E12 FCY5-88-110 02 3-E12 FCY5-88-110 48 3-E12 FC07-88-110 02 3-D12 FC07-88-110 48 3-D12 FC11-88-110 02 3-D12 FC11-88-110 19 3-D12 FA55-76-196 4-F3 HA43-76-201A 3-E3 H043-76-201 3-D3 HA43-76-202 3-D3 FB01-76-210B 3-E3 FB01-76-220B 3-E3 FB68-76-230 3-E3 FB02-76-250 02 3-E3	FC04-88-130 48 3-G12 FC07-88-130 02 3-G12 FC07-88-130 48 3-G12 FC70-88-130 02 3-H12 FC70-88-130 48 3-H12 FC71-88-130 02 3-H12 FC71-88-130 48 3-H12 FC72-88-130 02 3-H13 FC72-88-130 48 3-H13 FB46-88-131 02 3-H12 FB46-88-131 48 3-H12 FC01-88-131 02 3-H12 FC01-88-131 19 3-H12 FC01-88-131 48 3-H12 FC03-88-131 02 3-H12 FC03-88-131 19 3-H12 FC03-88-131 48 3-H12 FC07-88-131 02 3-H12 FC07-88-131 48 3-H12 FC70-88-131 02 3-H12	FC03-88-161 02 3-K12 FC03-88-161 19 3-K12 FC03-88-161 48 3-K12 FC03-88-161A02 3-K12 FC03-88-161A19 3-K12 FC03-88-161A48 3-K12 FC07-88-161 02 3-K12 FC07-88-161 48 3-K12 FC70-88-161A02 3-K12 FC70-88-161A48 3-K12 FB44-88-162 3-I13 FC01-88-162 3-I12 FC03-88-162 3-I12 FC07-88-163 3-I12 FC13-88-163 3-I12 FC13-88-163A 3-I12 FC34-88-163 3-I13 FC11-88-177A02 3-I12 FC11-88-177A19 3-I12	FC03-88-362 3-C13 FC05-88-362A 3-C13 FC01-88-363 3-C13 FC01-88-363A 3-C13 FC03-88-363 3-C13 FC03-88-363A 3-C13 FB03-88-385 02 3-C13 FB03-88-385 19 3-C13 FB03-88-385 48 3-C13 FB03-88-386 02 3-D13 FB03-88-386 48 3-D13 B092-88-519 3-J13 B092-88-519 3-J13 B093-88-815 3-C13 B092-88-818 3-C13 B093-88-818 3-N11 FA58-88-831 02 3-I12 FA58-88-831 19 3-I12	99655-30010 2-D7 99655-30015 2-D7 99655-30020 2-D7 99655-30025 2-D7 99655-30030 2-D7 99655-30035 2-D7 99655-30040 2-D7 99655-30045 2-D7 99655-30050 2-D7 99655-30055 2-D7 99655-30060 2-D7 99655-90005 2-D7 99655-90010 2-D7 99655-90015 2-D7 99655-90020 2-D7 99655-90025 2-D7 99655-90030 2-D7 99655-90035 2-D7 99655-90040 2-D7 99655-90045 2-D7	FA58-88-831 48 3-I12 F044-88-833 3-D13 BA49-88-860 3-D13 FB68-88-970 3-J13 90620-17635 2-C7 90620-17636 2-C7 90620-35706 2-C7 90620-65706 2-C7 90620-66705 2-C7 90623-06705 2-C7 90623-46705 2-C7 99701-2070 3-K5 99701-3270 3-H5 99701-4278 3-H5 99701-4278Y 3-D5 99701-5050 3-M5 99701-6030 3-C10 99701-6038 3-E11 99701-6040 3-H10 99701-6050 3-J10 99701-6058 4-N10 99701-6038 3-C5 99701-6040 3-K5 99701-6050 3-D5 99701-6050 3-H16 99701-6050 3-J15 99701-6050 3-M5 99705-1107 4-I7 99705-1130 4-I7 99963-6310 1-C10 99963-6315 1-C10 99963-6330 1-C10 99963-6330 1-K9 99963-6940 1-K9 99963-6950 1-K9 99963-6960 1-K9 99963-6970 1-K9 STANDARD PARTS 99541-00707 1-J12
0208-76-071	4-J11 4-N11	FC11-88-110 02 3-D12 FC11-88-110 19 3-D12 FC11-88-110 48 3-D12 FC11-88-110A02 3-E12 FC11-88-110A19 3-E12 FC11-88-110A48 3-E12 FC13-88-110 02 3-D12 FC13-88-110 19 3-D12 FC13-88-110 48 3-D12 FC13-88-110A02 3-E12	FC70-88-131 48 3-H12 FC72-88-131 02 3-H13 FC72-88-131 48 3-H13 FB46-88-132 3-H12 FC01-88-132 3-H12 FC03-88-132 3-H12 FC03-88-133 3-I12 FC03-88-133 3-I12 FB69-88-140 02 3-G13 FB69-88-140 48 3-G13 FC03-88-140 02 3-C12 FC03-88-140 19 3-C12 FC03-88-140 48 3-C12 FC70-88-140 02 3-C12 FC70-88-140 48 3-C12 FB69-88-141 02 3-H13 FB69-88-141 48 3-H13 FC03-88-141 02 3-I12 FC03-88-141 19 3-I12 FC03-88-141 48 3-I12	FC11-88-177A48 3-I12 FC13-88-177 02 3-I12 FC13-88-177 19 3-I12 FC13-88-177 48 3-I12 F044-88-177A02 3-I13 F044-88-177A48 3-I13 FB46-88-180 02 3-I12 FB46-88-180 48 3-I12 FB69-88-180 02 3-I13 FB69-88-180 48 3-I13 FC01-88-180 02 3-I12 FC01-88-180 19 3-I12 FC01-88-180 48 3-I12 FC03-88-180 02 3-M12 FC03-88-180 19 3-M12 FC03-88-180 48 3-M12 FC03-88-180 48 3-M12 FC07-88-180 02 3-M12 FC07-88-180 48 3-M12 FC70-88-180 02 3-M12 FC70-88-180 48 3-M12	99655-90050 2-D7 99655-90055 2-D7 99655-90060 2-E7 99656-10005 2-E7 99656-10010 2-E7 99656-10015 2-E7 99656-10020 2-E7 99656-10025 2-E7 99656-10030 2-E7 99656-10035 2-E7 99656-10040 2-E7 99656-10045 2-E7 99656-10050 2-E7 99656-10055 2-E7 99656-10060 2-E7 99700-5100 4-E12 99701-2070 3-K5 99701-3270 3-H5 99701-4278 3-H5		
FB02-76-250 19 3-E3 FB02-76-250 48 3-E3 FB01-76-260 3-E3 FC01-76-290 3-E3 FC07-76-290 3-E3 FC67-76-290 3-E3 G030-76-448 3-E15 3-I15 4-L3 FA55-76-455 4-H3 8871-76-456 4-G3 FA55-76-474 4-G3 D001-76-605 4-D9 B002-76-619A 4-G9 H043-76-619A 4-C9 B092-76-625 4-C9 B093-76-641 4-E9 E094-76-662 4-C9 B054-76-663 4-C9	FC13-88-110A19 3-E12 FC13-88-110A48 3-E12 FC70-88-110 02 3-D12 FC70-88-110 48 3-D12 FC71-88-110 02 3-D12 FC71-88-110 19 3-D12 FC71-88-110 48 3-D12 FC72-88-110 02 3-G13 FC72-88-110 48 3-G13 FB46-88-111 02 3-E12 FB46-88-111 48 3-E12 FB69-88-111 02 3-H13 FB69-88-111 48 3-H13 FC01-88-111 02 3-E12 FC01-88-111 19 3-E12 FC01-88-111 48 3-F12 FC01-88-111A02 3-F12 FC01-88-111A19 3-F12 FC01-88-111A48 3-F12 FC03-88-111 02 3-F12	FC70-88-141 02 3-I12 FC70-88-141 48 3-I12 FB01-88-151 3-H13 FC01-88-152 3-I12 3-I13 FC03-88-152 3-I12 FC01-88-153 3-I12 FC03-88-153 3-I12 FC34-88-153 3-I13 FCX7-88-160A02 3-I12 FCX7-88-160A48 3-I12 FCY5-88-160 02 3-J12 FCY5-88-160 48 3-J12 FCY5-88-160 48 3-J12 FC11-88-160 02 3-I12 FC11-88-160 19 3-I12 FC11-88-160 48 3-I12 FC11-88-160A02 3-I12 FC11-88-160A19 3-I12 FC11-88-160A48 3-I12	FB46-88-181 02 3-M12 FB46-88-181 48 3-M12 FB69-88-181 02 3-I13 FB69-88-181 48 3-I13 FC01-88-181 02 3-M12 FC01-88-181 19 3-M12 FC01-88-181 48 3-M12 FC03-88-181 02 3-M12 FC03-88-181 19 3-M12 FC03-88-181 48 3-M12 FC07-88-181 02 3-M12 FC07-88-181 48 3-M12 FC70-88-181 02 3-M12 FC70-88-181 48 3-M12 FC01-88-183 3-N12 FC03-88-183 3-N12 FC04-88-201 02 3-K13 FC04-88-201 19 3-K13 FC04-88-201 48 3-K13 FC04-88-202 3-K13	99236-0571 1-D6 99351-04999 1-C7 1-L5 99251-05150 2-G11 99351-05400 2-G11 99351-06999 1-C7 1-E5 99351-08999 2-G11 99359-0813 1-G5 99359-0814 1-G5 99359-0822 1-G5 99359-0826P 2-E11 99541-00403 2-D10 2-N9 1-F4 1-C12 1-H5 1-J12 1-K7 2-D10 4-N4 1-C12 1-H9 1-F8 2-M8 2-C7 2-C7 2-C7 2-C7 2-E7 2-C7 2-C7			
8532-76-672 4-E9 G030-76-673A 4-E9 1243-76-674 3-K3	FC03-88-111 19 3-F12 FC03-88-111 48 3-F12 FC03-88-111A02 3-F12 FC03-88-111A19 3-F12 FC03-88-111A48 3-F12 FC07-88-111 02 3-E12 FC07-88-111 48 3-E12 FC70-88-111A02 3-E12 FC70-88-111A48 3-E12 FB44-88-112 3-F12	FC13-88-160 02 3-J12 FC13-88-160 19 3-J12 FC13-88-160 48 3-J12 FC13-88-160A02 3-J12 FC13-88-160A19 3-K12 FC13-88-160A48 3-K12 FC70-88-160 02 3-J12 FC70-88-160 48 3-J12 FC72-88-160 02 3-I13 FC72-88-160 48 3-I13 FB46-88-161 02 3-K12 FB46-88-161 48 3-K12 FB69-88-161 02 3-I13 FB69-88-161 48 3-I13 FC01-88-161 02 3-K12 FC01-88-161 19 3-K12 FC01-88-161 48 3-K12 FC01-88-161A02 3-K12 FC01-88-161A19 3-K12 FC01-88-161A48 3-K12	99541-01105 2-N9 99541-01201 1-C12 99541-01252 1-H5 99541-01601 1-J12 99541-02403 2-D10 99541-35501 4-N4 99586-08166 1-C12 99606-22030 1-H9 99611-1500 1-F8 99636-01110 2-M8 99636-04130 2-C7 99636-04140 2-C7 99650-76050 2-C7 99651-04060 2-E7 99651-74050 2-C7 99655-30005 2-C7				
B001-88-081 02 3-F13 3-N11 B001-88-081 19 3-C12 B001-88-081 48 3-C12 3-F13 B001-88-091 02 3-C12 3-F13 B001-88-091 19 3-C12 B001-88-091 48 3-C12 3-F13	FC01-88-112 3-F12 FC03-88-112 3-F12 FB44-88-113 3-F12 FB68-88-113 3-H13 FC11-88-113 3-F12 FC11-88-113A 3-F12 FC13-88-113 3-F12 FC13-88-113A 3-F12 FB68-88-115 3-I13	FC13-88-160 02 3-J12 FC13-88-160 19 3-J12 FC13-88-160 48 3-J12 FC13-88-160A02 3-J12 FC13-88-160A19 3-K12 FC13-88-160A48 3-K12 FC70-88-160 02 3-J12 FC70-88-160 48 3-J12 FC72-88-160 02 3-I13 FC72-88-160 48 3-I13 FB46-88-161 02 3-K12 FB46-88-161 48 3-K12 FB69-88-161 02 3-I13 FB69-88-161 48 3-I13 FC01-88-161 02 3-K12 FC01-88-161 19 3-K12 FC01-88-161 48 3-K12 FC01-88-161A02 3-K12 FC01-88-161A19 3-K12 FC01-88-161A48 3-K12	99541-01105 2-N9 99541-01201 1-C12 99541-01252 1-H5 99541-01601 1-J12 99541-02403 2-D10 99541-35501 4-N4 99586-08166 1-C12 99606-22030 1-H9 99611-1500 1-F8 99636-01110 2-M8 99636-04130 2-C7 99636-04140 2-C7 99650-76050 2-C7 99651-04060 2-E7 99651-74050 2-C7 99655-30005 2-C7				
FB01-88-101 3-C12 3-F13 FC02-88-101 3-C12 FC01-88-102A 3-C12 FC34-88-102A 3-G13 FC34-88-103 3-G13 FC50-88-103 3-C12 FB01-88-105 3-C12 3-G5 FB67-88-105 3-G13 F062-88-106 3-D12 3-G13 FB01-88-107 3-C12 FB67-88-107 3-G13 H115-88-108 3-D12 3-G13 B095-88-109 3-D12 3-G13 FB44-88-109 3-D12 3-G13	3966-88-116 3-F13 3-N11 1243-88-117 3-C12 3-H13 FC01-88-127 02 3-G12 FC01-88-127 19 3-G12 FC01-88-127 48 3-G12 FC11-88-127A02 3-G12 FC11-88-127A19 3-G12 FC11-88-127A48 3-G12 F044-88-127A02 3-H13 F044-88-127A48 3-H13 FC01-88-130 02 3-G12 FC01-88-130 19 3-G12 FC01-88-130 48 3-G12 FC03-88-130 02 3-G12 FC03-88-130 19 3-G12 FC03-88-130 48 3-G12 FC04-88-130 02 3-G12 FC04-88-130 19 3-G12	FC13-88-160 02 3-J12 FC13-88-160 19 3-J12 FC13-88-160 48 3-J12 FC13-88-160A02 3-J12 FC13-88-160A19 3-K12 FC13-88-160A48 3-K12 FC70-88-160 02 3-J12 FC70-88-160 48 3-J12 FC72-88-160 02 3-I13 FC72-88-160 48 3-I13 FB46-88-161 02 3-K12 FB46-88-161 48 3-K12 FB69-88-161 02 3-I13 FB69-88-161 48 3-I13 FC01-88-161 02 3-K12 FC01-88-161 19 3-K12 FC01-88-161 48 3-K12 FC01-88-161A02 3-K12 FC01-88-161A19 3-K12 FC01-88-161A48 3-K12	99541-01105 2-N9 99541-01201 1-C12 99541-01252 1-H5 99541-01601 1-J12 99541-02403 2-D10 99541-35501 4-N4 99586-08166 1-C12 99606-22030 1-H9 99611-1500 1-F8 99636-01110 2-M8 99636-04130 2-C7 99636-04140 2-C7 99650-76050 2-C7 99651-04060 2-E7 99651-74050 2-C7 99655-30005 2-C7				

ALPHABETICAL INDEX *** ENGLISH ***

***** * * A * * *****	BAND(L), TANK FIX.----- 2-F9 BAND(R), TANK FIX.----- 2-F9 BAND, BATTERY----- 1-J11 BAND, BRAKE----- 1-E13 BAND, PIPE----- 2-E5 3-J3 BAR(FRT), FORMING-SOFT TOP 4-G4 BAR, FORMING-SOFT TOP----- 4-G4 BASE, HORN BUTTON----- 2-E5 BASE, INTERIOR MIRROR----- 4-F12 4-I12 BATTERY----- 1-J11 BEARING----- 1-C10 1-F8 2-F4 2-G3 2-M3 BEARING, BALL----- 1-C10 1-D10 1-E11 1-E11 1-C10 2-E4 2-K3 BEARING, BALL-MAIN DRIVE G 1-K9 BEARING, BALL-MAIN SHAFT-- 1-K9 BEARING, NEEDLE----- 1-D4 1-E4 1-E10 1-G13 1-H13 1-K9 1-M9 1-M13 BEARING, PINION----- 2-D4 2-J5 2-K3 2-M5 BEARING, ROLLER----- 1-K9 BEARING, ST. GEAR----- 2-I5 2-L5 BEARING, WHEEL----- 2-E3 BELT(L), LAP----- 3-N13 BELT(R), LAP----- 3-N13 BELT, AUTO SHOULDER-RETRAC 3-M13 BELT, REAR SEAT----- 3-N13 BELT'A'(L), CORNER-SOFTTOP 4-G4 BELT'A'(L), FRT SEAT----- 3-C14 3-M13 BELT'A'(R), CORNER-SOFTTOP 4-G4 BELT'A'(R), FRT SEAT----- 3-C14 3-M13 BELT'A', BACK WINDOW----- 4-G4 BELT'B'(L), AUTO SHOULDER- 3-N13 BELT'B'(L), BACK WINDOW----- 4-G4 BELT'B'(L), CORNER-SOFTTOP 4-G4 BELT'B'(L), FRT SEAT----- 3-C14 BELT'B'(R), AUTO SHOULDER- 3-N13 BELT'B'(R), BACK WINDOW----- 4-G4 BELT'B'(R), CORNER-SOFTTOP 4-G4 BELT'B'(R), FRT SEAT----- 3-C14 BELT'C', BACK WINDOW----- 4-G4 BELT'V'----- 1-D11 1-F8 1-G6 BEZEL(L), HEAD LAMP-LOWER- 3-L4 BEZEL(L), HEAD LAMP-UPPER- 3-L4 BEZEL(R), HEAD LAMP-LOWER- 3-L4 BEZEL(R), HEAD LAMP-UPPER- 3-L4 BEZZEL, AUTO CLOCK----- 3-O10 BLADE(L), WIPER-FRONT----- 4-N8 BLADE, WIPER-REAR----- 4-D9 BLOCK, FUSE----- 4-I7 BLOCK, MAIN FUSE----- 4-N7 BLOCKER, WIND----- 4-M11 BLOWER UNIT----- 4-G3 BOARD, PARTITION----- 4-M1 BOARD, PRINT-BURGLAR ALARM 4-M5 BOARD, PRINT-DAY LIGHT UNI 4-M5 BODY & PISTON(L), CALIPER- 2-G3 2-H6 2-G3 2-H6 2-G3 2-H6	2-F9 2-F9 1-J11 1-E13 2-E5 3-J3 4-G4 4-G4 2-E5 4-F12 4-I12 1-J11 1-C10 1-F8 2-F4 2-G3 2-M3 1-C10 1-D10 1-E11 1-E11 1-C10 2-E4 2-K3 1-K9 1-K9 1-D4 1-E4 1-E10 1-G13 1-H13 1-K9 1-M9 1-M13 2-D4 2-J5 2-K3 2-M5 1-K9 2-I5 2-L5 2-E3 3-N13 3-N13 3-M13 3-N13 4-G4 3-C14 3-M13 4-G4 3-C14 3-M13 4-G4 4-G4 4-G4 3-C14 3-M13 4-G4 4-G4 3-C14 1-D11 1-F8 1-G6 3-L4 3-L4 3-L4 3-L4 3-O10 4-N8 4-D9 4-I7 4-N7 4-M11 4-G3 4-M1 4-M5 4-M5 2-G3 2-H6 2-G3 2-H6	BODY SET, WATER PUMP----- 1-N7 BODY(L), FRONT DOOR----- 3-D14 3-G14 BODY(R), FRONT DOOR----- 3-D14 3-G14 BODY, CONTROL VALVE-UP----- 1-J12 BODY, FILLER CAP----- 1-C8 BODY, OIL FILTER----- 1-G7 1-J7 BODY, THROTTLE----- 1-D6 BODY, VALVE LWR----- 1-K12 BODY, WATER PUMP----- 1-N7 BOLT----- 1-C13 1-C14 1-D8 1-D12 1-E6 1-E9 1-E12 1-G9 1-G12 1-M11 1-K11 1-L4 1-L11 1-M12 2-C3 2-C8 2-D8 2-E3 2-E6 2-G5 2-H3 2-H5 2-K6 3-C13 3-F3 3-J13 3-N10 3-N11 4-E5 4-G13 BOLT SET----- 1-E10 BOLT, ADJUST----- 1-G8 2-L4 BOLT, ADJUST-FRT SEAT--- 3-D13 3-J13 BOLT, ALTERNATOR----- 1-D11 BOLT, ANCHOR END----- 1-D12 BOLT, BRACKET-STAY DAMPER- 4-K3 BOLT, CARRIER----- 2-G4 2-N3 BOLT, CLAMP----- 1-J11 BOLT, CLUTCH CUT SWITCH--- 2-I9 BOLT, CONNECTOR----- 1-G7 1-H7 1-J7 1-K7 2-E10 2-G10 2-K10 2-M9 2-L4 BOLT, CONTROL LINK----- 2-L4 BOLT, CONTROL VALVE----- 1-F12 1-H12 1-N12 3-O15 2-L4 2-E3 2-G3 2-L6 1-H5 1-H5 3-J4 3-K4 4-H4 2-E3 2-F6 2-L10 2-K9 2-F7 2-H6 3-F13 3-L11	1-N7 3-D14 3-G14 3-D14 3-G14 1-J12 1-C8 1-G7 1-J7 1-D6 1-K12 1-N7 1-C13 1-C14 1-D8 1-D12 1-E6 1-E9 1-E12 1-G9 1-G12 1-M11 1-K11 1-L4 1-L11 1-M12 2-C3 2-C8 2-D8 2-E3 2-E6 2-G5 2-H3 2-H5 2-K6 3-C13 3-F3 3-J13 3-N10 3-N11 4-E5 4-G13 1-E10 1-G8 2-L4 3-D13 3-J13 1-D11 1-D12 4-K3 2-G4 2-N3 1-J11 2-I9 1-G7 1-H7 1-J7 1-K7 2-E10 2-G10 2-K10 2-M9 2-L4 2-L4 1-F12 1-H12 1-N12 3-O15 2-L4 2-E3 2-G3 2-L6 1-H5 1-H5 3-J4 3-K4 4-H4 2-E3 2-F6 2-L10 2-K9 2-F7 2-H6 3-F13 3-L11	BOLT, LOCK----- 1-F7 1-I7 BOLT, LOWER ARM----- 2-E3 BOLT, LOWER TRAY-STOP BRKT 3-J9 BOLT, MOTOR-RETRACT H/LAMP 3-L4 BOLT, OIL PAN----- 1-F12 BOLT, PULLEY----- 1-D4 BOLT, REAM-SHTR V. ACTUATOR 1-J4 BOLT, REAR BRAKE----- 2-G3 BOLT, REAR HOOK----- 3-J9 BOLT, REAR SENSOR----- 2-L10 BOLT, RING GEAR----- 2-E4 2-L3 BOLT, SEAT BELT----- 3-M13 BOLT, SET----- 1-F7 1-I7 3-D5 3-D14 3-F13 3-H14 3-L11 2-G5 2-C8 3-J9 3-E5 3-J9 1-D11 1-K3 1-N3 2-K6 3-I7 2-E6 2-H4 3-G6 2-I6 2-I3 2-D3 4-E12 4-E12 2-K6 3-E11 1-K10 2-I5 2-L5 4-F5 4-J4 3-L4 2-C5 2-E5 2-E5 3-I7 3-G7 3-H7 4-C3 1-J11 3-N10 4-N5 4-N5 3-M10 3-N10 3-C10 4-N10 1-G12 1-M11 4-C5 4-E9 2-K10 2-K10 3-K10 3-E6 3-K10 3-F6 2-K10 1-D6 3-L4 2-H3 3-H7 2-C8 3-D7 3-J4 4-J4	1-F7 1-I7 2-E3 3-J9 3-L4 1-F12 1-D4 1-J4 2-G3 3-J9 2-L10 2-E4 2-L3 3-M13 1-F7 1-I7 3-D5 3-D14 3-F13 3-H14 3-L11 2-G5 2-C8 3-J9 3-E5 3-J9 1-D11 1-K3 1-N3 2-K6 3-I7 2-E6 2-H4 3-G6 2-I6 2-I3 2-D3 4-E12 4-E12 2-K6 3-E11 1-K10 2-I5 2-L5 4-F5 4-J4 3-L4 2-C5 2-E5 2-E5 3-I7 3-G7 3-H7 4-C3 1-J11 3-N10 4-N5 4-N5 3-M10 3-N10 3-C10 4-N10 1-G12 1-M11 4-C5 4-E9 2-K10 2-K10 3-K10 3-E6 3-K10 3-F6 2-K10 1-D6 3-L4 2-H3 3-H7 2-C8 3-D7 3-J4 4-J4	BRACKET(L), RADIATOR----- 1-N7 BRACKET(L), RR PKG----- 4-G10 BRACKET(L), SEAT BELT----- 3-M13 BRACKET(L), SPEAKER----- 4-E7 BRACKET(L), TRIM-QTR PANEL 3-J8 BRACKET(L), TUNER----- 4-I6 4-J6 4-K6 3-L4 4-H6 4-K6 2-H3 3-G7 2-C8 2-D8 3-D7 3-M6 3-J4 4-J4 1-M7 4-G10 3-M13 4-E7 3-G8 4-I6 4-K6 4-H6 4-K6 4-E6 1-K4 1-L4 1-C7 1-L4 1-J5 1-G6 4-I6 4-L6 4-C8 3-J9 3-G6 3-G3 1-G5 3-J10 4-N7 4-N7 1-F8 3-F11 4-C5 4-D5 2-E5 3-C9 3-G9 3-K7 3-L7 1-G11 3-L10 3-J7 3-E8 3-M6 2-F8 2-G8 2-J8 2-K8 1-N3 2-G8 4-C8 2-G8 4-N7 4-D6 1-C11 1-C11 1-M10 1-F12 1-H4 2-K6 4-C8 2-I9 2-K9 3-C4 3-N5 1-H7 2-G10 1-M11	1-N7 4-G10 3-M13 4-E7 3-J8 4-I6 4-J6 4-K6 3-L4 4-H6 4-K6 2-H3 3-G7 2-C8 2-D8 3-D7 3-M6 3-J4 4-J4 1-M7 4-G10 3-M13 4-E7 3-G8 4-I6 4-K6 4-H6 4-K6 4-E6 1-K4 1-L4 1-C7 1-L4 1-J5 1-G6 4-I6 4-L6 4-C8 3-J9 3-G6 3-G3 1-G5 3-J10 4-N7 4-N7 1-F8 3-F11 4-C5 4-D5 2-E5 3-C9 3-G9 3-K7 3-L7 1-G11 3-L10 3-J7 3-E8 3-M6 2-F8 2-G8 2-J8 2-K8 1-N3 2-G8 4-C8 2-G8 4-N7 4-D6 1-C11 1-C11 1-M10 1-F12 1-H4 2-K6 4-C8 2-I9 2-K9 3-C4 3-N5 1-H7 2-G10 1-M11
-----------------------------------	------------------------------------------------------------------------------------------------------------------------------------------------------------------------------------------------------------------------------------------------------------------------------------------------------------------------------------------------------------------------------------------------------------------------------------------------------------------------------------------------------------------------------------------------------------------------------------------------------------------------------------------------------------------------------------------------------------------------------------------------------------------------------------------------------------------------------------------------------------------------------------------------------------------------------------------------------------------------------------------------------------------------------------------------------------------------------------------------------------------------------------------------------------------------------------------------------------------------------------------------------------------------------------------------------------------------------------------------------------------------------------------------------------------------------------------------------------------------------------------------------------------------------------------------------------------------------------------------------------------------------------------------------------------------------------------------------------------------------------------------------------------------------------------------------------------------------------------------------------------------------------------------------------------------------------------------------------------------------------------------------------------------------	---------------------------------------------------------------------------------------------------------------------------------------------------------------------------------------------------------------------------------------------------------------------------------------------------------------------------------------------------------------------------------------------------------------------------------------------------------------------------------------------------------------------------------------------------------------------------------------------------------------------------------------------------------------------------------------------------	--------------------------------------------------------------------------------------------------------------------------------------------------------------------------------------------------------------------------------------------------------------------------------------------------------------------------------------------------------------------------------------------------------------------------------------------------------------------------------------------------------------------------------------------------------------------------------------------------------------------------------------------------------------------------------------------------------------------------------------------------------------------------------------------------------------------------------------------------------------------------------------------------------------------------------------------------------------------------------------------------------------------------------------------------------------------------------------------------------------------------------------------------------------------------------------------------------------------------------------------	------------------------------------------------------------------------------------------------------------------------------------------------------------------------------------------------------------------------------------------------------------------------------------------------------------------------------------------------------------------------------------------------------------------------------------------------------------------------------------------------------------------------------------------------------------------------------------------------------------------------------------------------------------------------------------------------------------------------------------------	--------------------------------------------------------------------------------------------------------------------------------------------------------------------------------------------------------------------------------------------------------------------------------------------------------------------------------------------------------------------------------------------------------------------------------------------------------------------------------------------------------------------------------------------------------------------------------------------------------------------------------------------------------------------------------------------------------------------------------------------------------------------------------------------------------------------------------------------------------------------------------------------------------------------------------------------------------------------------------------	-----------------------------------------------------------------------------------------------------------------------------------------------------------------------------------------------------------------------------------------------------------------------------------------------------------------------------------------------------------------------------------------------------------------------------------------------------------------------------------------------------------------------------------------------------------------------------------------------------------------------------------------------------------------------------------------------	------------------------------------------------------------------------------------------------------------------------------------------------------------------------------------------------------------------------------------------------------------------------------------------------------------------------------------------------------------------------------------------------------------------------------------------------------------------------------------------------------------------------------------------------------------------------------------------------------------------------------------------------------------------------------------------------------------------------------------------------------------------------------------------------------------------------------------------------------------	----------------------------------------------------------------------------------------------------------------------------------------------------------------------------------------------------------------------------------------------------------------------------------------------------------------------------------------------------------------------------------------------------------------------------------------------------------------------------------------------------------------------------------------------------------------------------------------------------------------------------------------------------------------------------------------------------

ALPHABETICAL INDEX *** ENGLISH ***

BRACKET, PIPE HOLDER-----	2-L10	BULB 'B', WARNING UNIT-----	3-C10	CAP, FILLER-----	2-E9	CLIP-----	3-D11	CLIP, TRIM-----	4-C13
BRACKET, QUARTER TRIM-----	4-N12	BULB 'C', CLUSTER SWITCH-----	4-J5	CAP, GARNISH-----	3-L10	3-D15	3-D15	CLUTCH, DIRECT-----	1-I13
BRACKET, REAR-----	1-H11	BULB 'D', CLUSTER SWITCH-----	4-J5	CAP, HINGE-H. L. RETRACTABLE-----	3-K6	3-E15	3-E15	CLUTCH, FRONT-----	1-E13
BRACKET, RELAY-----	4-C6	BUMPER, BOUND-----	2-K6	CAP, HORN-----	2-C5	3-F3	3-F3	CLUTCH, ONE WAY-----	1-J13
BRACKET, RELAY-SET PLATE---	4-E5	BUMPER, REAR-----	3-H3	CAP, HUB-----	2-F6	3-F5	3-F5	CLUTCH, REAR-----	1-F13
BRACKET, SET-S. ROOF FRAME-----	3-C7	BUSH-----	1-F8	CAP, IDLE SWITCH-----	1-J5	3-F15	3-F15	COCK, DRAIN-----	1-D8
BRACKET, SIDE STEP-F. FENDE-----	3-L6	1-K4	1-K4	CAP, LOCKING-----	3-F5	3-G10	3-G10	COIL & IGNITER, LEADING-----	1-N10
BRACKET, STAB-RR-----	4-E4	2-D9	2-D9	CAP, OIL FILLER-----	1-E3	3-G15	3-G15	COIL & IGNITER, TRAILING-----	1-N10
BRACKET, STAB-RR-----	3-F7	2-H9	2-H9	CAP, PARK BRAKE LEVER-----	1-G3	3-H3	3-H3	COIL, IGNITION-LEADING-----	1-N10
BRACKET, STABILIZER-----	2-K4	2-I9	2-I9	CAP, RADIATOR-----	2-N10	3-I15	3-I15	COIL, IGNITION-TRAILING-----	1-N10
BRACKET, STABILIZER-----	2-K6	2-I11	2-I11	CAP, REAR SPOILER-----	1-D8	3-J3	3-J3	COLLAR, CLUTCH REL.-----	1-E9
BRACKET, SUB TANK-----	1-D8	2-L9	2-L9	CAP, RUBBER-----	4-F13	3-J6	3-J6	COLLAR, COMP. BRKT-----	1-F8
BRACKET, SUPPORT-H. T. CORD-----	1-C11	3-G13	3-G13	CAP, SEAL-----	2-H6	3-K6	3-K6	COLLAR, COMP. BRKT-PULLEY-----	1-G8
BRACKET, T/MISSION MT-----	2-C8	1-K10	1-K10	CAP, SPRING-----	4-D9	3-L14	3-L14	COLLAR, HARNESS-SIDE SILL-----	3-K9
BRACKET, TANK-----	2-D8	2-D10	2-D10	CAP, SUB TANK-----	1-J10	3-M3	3-M3	COLLAR, LONG-DRIVING&DEFF-----	2-E4
BRACKET, TRUNK E.JARD-----	1-M5	2-N8	2-N8	CAP, TANK-----	1-K10	4-D9	4-D9	CONDENSER-----	4-G7
BRACKET, VACUUM PIPE-----	4-M11	2-N9	2-N9	CAP, WHEEL-HALF-----	1-E8	4-E6	4-E6	CONNECTING, SHELL-----	1-J13
BRACKET, WASHER TANK-----	4-K8	3-C12	3-C12	CARRIER, DIFFERENTIAL-----	3-K3	4-E7	4-E7	CONNECTOR-----	1-M6
BREAKER-----	4-I7	3-L13	3-L13	CARRIER, FRONT-----	4-E9	4-G13	4-G13	CONNECTOR, AIR TUBE-----	1-K7
BREATH-----	2-D4	4-E9	4-E9	CARRIER, OVER DRIVE-----	4-K8	4-H8	4-H8	CONNECTOR, CHANGE LEVER-----	2-H11
BREATH, AIR-----	2-K3	2-M5	2-M5	CARRIER, REAR-----	4-M8	4-H10	4-H10	CONNECTOR, FLUID HOSE-----	1-M5
BREATH, AIR-T. MISSION-----	1-D12	2-L6	2-L6	CARRIAGE, OIL FILTER-----	2-C7	4-I8	4-I8	CONSOLE, OVERHEAD-----	3-N5
BRKT NO. 1(L), GRILLE-TRIM-----	1-I9	2-H4	2-H4	CASE-----	2-E4	4-J3	4-J3	CONSOLE, REAR-----	3-F11
BRKT NO. 1(R), GRILLE-TRIM-----	3-I16	2-H4	2-H4	CASE(L), BLOWER-----	2-L3	4-J9	4-J9	CONT. BOX, ADJ. DUMPER-----	4-N5
BRKT(L), BELT-FORMING-----	4-G4	2-L4	2-L4	CASE(L), HEATER UNIT-----	1-G13	3-D3	3-D3	CONTACT, HORN-----	4-M5
BRKT(L), COAT HANGER-----	4-F12	2-K4	2-K4	CASE(R), BLOWER-----	1-J13	3-F15	3-F15	CONTROL, HEATER-----	4-F3
BRKT(L), DAMPER STAY-QTR-----	3-E8	2-M4	2-M4	CASE(R), HEATER UNIT-----	1-G13	3-L14	3-L14	CONTROL, REMOTE-AUDIO-----	4-K6
BRKT(L), FORMING BAR-----	3-H8	2-L6	2-L6	CASE, CHANGE CONTROL-----	1-H7	2-M5	2-M5	CONTROLLER, AE SYSTEM-DISC-----	4-M6
BRKT(L), INST-----	3-I8	2-E5	2-E5	CASE, CONTROL UNIT-----	1-L7	2-D3	2-D3	CONVERTER, CATALYST-----	2-E8
BRKT(L), MOTOR-SIDE FRAME-----	3-G9	2-N10	2-N10	CASE, LAMP-----	2-L3	3-G15	3-G15	CONVERTER, MONOLITH-----	2-88
BRKT(L), PILLAR GARNISH-----	3-K7	4-I4	4-I4	CASE, METER-----	4-G3	3-L14	3-L14	CONVERTER, TORQUE-----	1-F11
BRKT(L), SILENCER-S/PANEL-----	3-F9	2-C11	2-C11	CASE, OVER DRIVE-----	4-E3	4-C4	4-C4	CONVERTER, TORQUE-----	1-F11
BRKT(L), SILENCER-R. FRAME-----	3-N8	2-D9	2-D9	CASE, T/MISSION-----	4-G3	4-C4	4-C4	COOLER, OIL-----	1-M7
BRKT(L), TRIM-QTR PANEL-----	3-N7	3-K6	3-K6	CASING, DIFFERENTIAL-----	4-G3	4-C4	4-C4	CORD-----	1-C5
BRKT(R), BELT-FORMING-----	4-G4	4-J3	4-J3	CASING, STOPPER-----	1-J10	2-E10	2-E10	CORD, FRONT FOG LAMP-----	3-F5
BRKT(R), DAMPER STAY-QTR-----	3-E8	3-K6	3-K6	CATALYST, THREE WAY-----	4-M5	2-D9	2-D9	CORD, HIGH TENSION (L-1)-----	1-C11
BRKT(R), FORMING BAR-----	3-F8	4-J3	4-J3	CATCH(L), RR. SEAT BAC-----	3-D10	3-F5	3-F5	CORD, HIGH TENSION (L-2)-----	1-D11
BRKT(R), INST-----	3-G8	2-N10	2-N10	CATCH(R), RR. SEAT BAC-----	3-D10	4-M4	4-M4	CORD, HIGH TENSION (T-1)-----	1-C11
BRKT(R), MOTOR-SIDE FRAME-----	3-F9	3-G10	3-G10	CEILING, TOP-----	1-H12	4-I8	4-I8	CORD, HIGH TENSION (T-2)-----	1-C11
BRKT(R), PILLAR GARNISH-----	3-K7	2-L10	2-L10	CHAIN, OIL PUMP-----	1-C12	4-E11	4-E11	CORD, HORN-ST. WHEEL-----	2-E5
BRKT(R), SILENCER-S/PANEL-----	3-D9	3-H9	3-H9	CHAMBER(L), EXTRACTOR-----	1-G9	4-K11	4-K11	CORD, INDICATOR-----	3-F11
BRKT(R), STOPPER-R. FRAME-----	3-M8	3-H15	3-H15	CHAMBER(R), EXTRACTOR-----	2-G4	3-M4	3-M4	CORD, LICENSE LAMP-----	3-K5
BRKT(R), TRIM-QTR PANEL-----	3-M7	3-N14	3-N14	CHAMBER, AIR-----	2-13	2-F11	2-F11	CORD, SHORT-----	4-I7
BRKT, AIR FLOW METER-----	1-J5	4-D7	4-D7	CHAMBER, FIRST IDLE-----	1-F7	1-H7	1-H7	CORD, SHORT-FRT SEAT BACK-----	3-J13
BRKT, IGNITION COIL-----	1-D11	4-H8	4-H8	CHAMBER, REAR-----	1-E7	1-K7	1-K7	CORD, SHORT-----	4-E3
BRKT, MOTOR-ANTENA-----	4-D7	4-H9	4-H9	CHANNEL(L), DIVISION-DOOR-----	2-F7	1-G7	1-G7	COTTER, TAPER-----	4-E3
BRKT, SURGE TANK-----	1-J4	4-J3	4-J3	CHANNEL(L), GLASS RUN-----	1-E6	1-G7	1-G7	COUPLER, SOLENOID VALVE-----	1-H12
BRKT 'A', CONTROL UNIT-----	1-K4	4-N9	4-N9	CHANNEL(R), DIVISION-DOOR-----	1-E7	1-J7	1-J7	COVER-----	1-K4
BRKT 'B', CONTROL UNIT-----	3-D9	4-M9	4-M9	CHANNEL(R), GLASS RUN-----	1-E7	4-D9	4-D9	COVER (L), SERVICE-RR FLOO-----	2-N10
BRUSH-----	1-F11	2-M8	2-M8	CHARGE, AIR COOLER-----	1-M11	1-M11	1-M11	COVER (R), SERVICE-RR FLOO-----	3-K9
BRUSH, YOKE-----	1-I11	2-M8	2-M8	CHARGER, TURBO-----	1-M12	2-F11	2-F11	COVER(L), BELT-----	4-K9
BULB-----	3-C5	2-M9	2-M9	CHECKER, DOOR-----	2-C11	2-I10	2-I10	COVER(L), CLUSTER SWITCH-----	4-T5
BULB & SOCKET-----	3-C10	3-M5	3-M5	CLAMP, BATTERY-----	2-D6	4-K8	4-K8	COVER(L), DUST-----	2-G6
BULB, AUTO CLOCK-----	3-E11	4-F3	4-F3	CLAMP, HOSE-----	2-E11	4-M8	4-M8	COVER(L), DUST-DOOR TRIM-----	3-E16
BULB, FRONT FOG LAMP-----	3-C10	4-N10	4-N10	CLAMP, HOSE-A. I. PIPE SIDE-----	2-G4	4-C13	4-C13	COVER(L), GARNISH-INST.-----	3-L10
BULB, INTERIOR MIRROR-----	3-F5	3-C10	3-C10	CLAMP, SPARE TIRE-----	2-H10	4-K9	4-K9	COVER(L), HINGE-----	4-L9
BULB, INTERIOR MIRROR-----	3-N5	3-E11	3-E11	CLIP, SET, RESERVE TANK-----	2-J9	4-N9	4-N9	COVER(L), HOLE-DASH. INSU.-----	4-E11
BULB, AUTO CLOCK-----	3-F5	3-C10	3-C10	CAP(L), PULL HANDLE-----	2-N3	3-M3	3-M3	COVER(L), IN. HANDLE-----	3-F15
BULB, FRONT FOG LAMP-----	3-N5	3-E11	3-E11	CAP(R), PULL HANDLE-----	3-C4	3-J5	3-J5	CLIP, STOP LAMP-HI. MOUNT-----	3-K14
BULB, INTERIOR MIRROR-----	3-N5	4-E12	4-E12	CAP, BLEEDER SCREW-----	3-D3				
BULB, INTERIOR MIRROR-----	3-N5	4-I12	4-I12						
BULB 'A', CLUSTER SWITCH-----	4-I5								
BULB 'A', METER SET-----	3-N9								
BULB 'B', CLUSTER SWITCH-----	4-J5								

ALPHABETICAL INDEX *** ENGLISH ***

COVER(L), KNUCKLE-----	3-I13	COVER, IG. COIL-LEADING----	1-N10	DASH POT-----	1-E6	FASCIA, FRONT-----	3-F3	FRAME(R), CUSHION-FRT-----	3-H13
COVER(L), LAP BELT-----	3-L12	COVER, IG. COIL-T-1-----	1-N10	DECK(L), FLOOR-----	3-K9	FASTENER-----	3-D4	FRAME(R), LAMP LID-----	3-J4
COVER(L), LINK-----	4-D11	COVER, IG. COIL-T-2-----	1-N10	DECK(R), FLOOR-----	3-K9		3-E6	FRAME(R), REAR SIDE-----	3-E9
COVER(L), PASSING HOLE-----	4-K9	COVER, JACK-----	4-H10	DEFLECTOR-----	4-O4		3-F14		3-N8
COVER(L), POCKET-DOOR TRIM	3-J4	COVER, KNOB-HINGE-----	4-K4	DIAL, LUMBER SUPPORT-----	3-C13		3-G3	FRAME(R), REAR SIDE-UPPER-----	3-E9
	3-E16	COVER, MAIN FUSE BLOK-----	4-C8	DIAPHRAGM-----	1-C6		3-14	FRAME(R), SIDE-FRONT-----	3-G7
	3-K16	COVER, MAIN-C. P. UNIT-----	4-M5	DIAPHRAGM, VACUUM-----	1-F12		3-114	FRAME(R), SIDE-OUTER-----	3-M7
COVER(L), RAIL-FRT-----	4-N9	COVER, MOTOR-----	4-G3	DIFFERENTIAL-----	2-E4		3-J14	FRAME(RR.L), FRONT-----	3-F9
COVER(L), RAIL-RR-----	4-N9	COVER, MOTOR-SLIDING ROOF-----	4-F4	DISC. CLUTCH-----	1-E9		4-D13		3-W8
COVER(L), RETRACTOR-----	3-N13	COVER, OIL PUMP-----	1-L11	DISPLAY, SECURITY-ALARM-----	4-G5		4-E10	FRAME(RR.R), FRONT-----	3-D9
COVER(L), RETRACTOR-FRONT-----	4-E11	COVER, OPENER-FLOOR MAT-----	4-G11	DISTRIBUTOR(P), FUEL-----	1-H5		4-F7		3-M8
COVER(L), RETRACTOR-REAR-----	4-E11			DISTRIBUTOR(S), FUEL-----	1-H5		4-G13	FRAME, BACK WINDOW-----	4-I4
COVER(L), SENSOR-----	2-F5	COVER, OVER HEAD CONSOLE-----	3-N5	DISTRIBUTOR, OIL-----	1-M13		4-I11	FRAME, GLASS HATCH-----	4-J3
COVER(L), SIDE-----	3-C11	COVER, REAR-ALTERNATOR-----	1-E11	DOWEL, TUBULAR-----	1-E3		4-J10	FRAME, INST. PANEL-----	3-K10
COVER(L), SIDE NO. 2-----	3-C11	COVER, RELAY-----	4-C6		1-G3		4-J11	FRAME, RR SEAT BACK-----	3-K13
COVER(L), T-END TRIM-----	4-K10	COVER, ROD-----	1-K10	DRIVING & DIFF.-----	2-D4		4-L4	FRAME, SLIDING ROOF-----	4-D4
COVER(R), BELT-----	4-K9	COVER, SEAL-COWL PANEL-----	3-I9		2-K3		4-L9	FRAME, SUB-----	2-M4
COVER(R), CLUSTER SWITCH-----	4-I5	COVER, SEAL-SHROUD-----	3-I4	DRUM, CLUTCH-----	1-E13		4-M10	FUSE(100A)-----	4-N7
COVER(R), DUST-----	2-F6	COVER, SERVICE HOLE-----	3-H9	DRUM, CONNECTING-----	1-L13		4-M11	FUSE(30A)-----	4-I7
COVER(R), DUST-DOOR TRIM-----	3-E16		3-I9	DRUM, DIRECT-----	1-I13		4-N11		4-N7
	3-J16	COVER, SERVICE HOLE-CLUST.-----	3-F10	DRUM, REAR CLUTCH-----	1-F13	FASTENER(L)-----	3-F14	FUSE(7.5A)-----	4-I7
COVER(R), GARNISH-INST.----	3-L10	COVER, SERVO-----	1-E12	DUCT NO. 1(L)-----	3-H11		3-I14		
COVER(R), HINGE-----	4-K9	COVER, SET-----	2-F6	DUCT NO. 1(L), LAP-VENT.-----	3-I11	FASTENER(R)-----	3-F14		
	4-L9	COVER, SOCKET-F. FOG LAMP-----	3-D5	DUCT NO. 1(R)-----	3-H11		3-I14		
COVER(R), HOLE-DASH. INSU.----	4-E11	COVER, SPARE TIRE-----	4-M11	DUCT NO. 1(R), VENTILATOR-----	3-I11	FASTENER, AIR DAM-SKIRT-----	3-D4		
COVER(R), IN. HANDLE-----	3-F15	COVER, STEERING SHAFT-----	2-H5	DUCT NO. 2(L), LAP-VENT.-----	3-I11	FASTENER, BONNET BURDGE-----	3-G6		
	3-K14	COVER, SUB-C. P. UNIT-----	4-M5	DUCT NO. 2(R), LAP-VENT.-----	3-I11	FASTENER, CTR. P/UPP.-----	4-C10		
COVER(R), KNUCKLE-----	3-G12	COVER, THERMOSTAT-----	1-C8	DUCT NO. 2, LAP-VENT.-----	3-I11	FASTENER, DOOR TRIM-----	3-I16		
	3-H13	COVER, TOP-----	1-K11	DUCT(L), 'A' AIR-----	3-E5		3-L15		
COVER(R), LAP BELT-----	4-D11	COVER, UNDER-----	1-G9	DUCT(L), AIR-----	3-E5	FASTENER, DUCT PANEL-----	3-E7	GARNISH(L), DOOR-----	3-K16
COVER(R), LINK-----	4-K9		1-K11	DUCT(L), AIR-BRAKE PIPE-----	2-E10		3-M6	GARNISH(L), SAIL-IN.-----	4-D12
COVER(R), PASSING HOLE-----	3-J4	COVER, UNDER CLUTCH HOUS.-----	1-D9		2-G10	FASTENER, F. WIND. MLD.-----	3-L3		4-H12
COVER(R), POCKET-DOOR TRIM	3-E16	COVER, UNDER-FRONT-----	3-J9	DUCT(L), SHOWER-----	4-D3	FASTENER, HINGE COVER-----	4-I9	GARNISH(R), DOOR-----	3-K16
	3-K16	COVER, VALVE BODY-----	1-K12	DUCT(L), SIDE DEMIST.-----	3-H11	FASTENER, REAR BUMBER-----	3-G3	GARNISH(R), SAIL-IN.-----	4-D12
COVER(R), RAIL-FRT-----	4-N9	COVER, VENT-----	1-D9	DUCT(R), 'A' AIR-----	3-D5	FASTENER, SEAL-----	3-F16		2-H8
COVER(R), RAIL-RR-----	4-N9	COVER, WHEEL CORE-----	2-E5	DUCT(R), 'B' AIR-----	3-D5		3-K16	GARNISH, TAIL PIPE-----	2-L8
COVER(R), RETRACTOR-----	3-N13		2-N4	DUCT(R), AIR-----	3-D5		4-I11		4-H9
	4-E11	COVER, WIPER ARM-REAR-----	4-E9	DUCT(R), AIR-BRAKE PIPE-----	2-E10		4-J10	GARNISH, TOP-FRONT-----	4-H9
COVER(R), RETRACTOR-FRONT-----	4-E11	COVER, WIPER MOTOR-----	4-D9		2-G10		4-J11	GARNISH, TOP-REAR-----	4-H9
COVER(R), SIDE-----	3-C11	COVER, 'A'(L), FRAME-G. HATCH-----	4-L3	DUCT(R), SHOWER-----	4-D3	FASTENER, TAPPING-----	4-M11	GARNISH, UPPER-----	3-L10
	3-N10	COVER, 'A'(R), FRAME-G. HATCH-----	4-K3	DUCT(R), SIDE DEMIST.-----	3-H11	FASTENER, TOP CEILING-----	4-I9	GASKET-----	1-C5
COVER(R), SIDE NO. 2-----	3-C11	COVER, 'A', HOLE-----	4-D11	DUCT, AIR-----	1-J5	FASTENER, TRIM-SLIDE ROOF-----	4-E4		1-C8
COVER(R), T-END TRIM-----	4-K10	COVER, 'B'(L), FRAME-G. HATCH-----	4-L3	DUCT, AIR-RADIATOR SHROUD-----	3-M6	FASTENER, TURN-SIDE LID-----	4-M10		1-D5
COVER, ACTUATOR-----	4-E6	COVER, 'B'(R), FRAME-G. HATCH-----	4-K3		4-C3		4-I10		1-E12
COVER, AIR CLEANER-----	1-K5	COVER, 'B', HOLE-----	4-D11	DUCT, CENTER-----	3-H11		4-E6		1-F5
COVER, ANCHOR-----	3-M13	COVER, 'T', HYDRAULIC UNIT-----	2-K10	DUCT, DEFROSTER-----	4-C3		4-M10		1-I1
COVER, BEARING-----	1-G9	COVER, 'L', HYDRAULIC UNIT-----	2-K10	DUCT, FRESH AIR-----	1-J5	FEEDER & COVER-----	4-E7		1-J4
COVER, BLIND-----	1-H9	COWLING, FAN-----	1-D8		1-K5		4-N6		1-K5
	1-K10	COWLING, RADIATOR-----	1-D8			FEEDER-ANTENNA-----	4-N6		1-L12
COVER, BOX-BATTERY-----	1-J11	CUP, SECONDARY-----	2-D10			FEEDER, ANTENNA-----	4-E7		1-M5
COVER, BRACKET-DAMPER STAY	4-K3		2-N9			FILM, PANEL NO. 1-----	4-F3		1-M6
COVER, CLUTCH-----	1-D9		3-M6			FILTER, FUEL-----	1-G5		1-M7
COVER, COLUMN-LOWER-----	3-D10	CUSHION-----	3-M6			FILTER, FUEL PUMP-----	1-F5		2-E8
COVER, COLUMN-UPPER-----	3-D10	CUSHION(L), FRT SEAT-----	3-I13			FINISHER, REAR-----	1-E6		2-F8
COVER, DAMPER STAY-----	4-K3		3-J12			FLANGE-----	1-L13		2-G8
COVER, DIAL-----	3-D13	CUSHION(R), FRT SEAT-----	3-K12			FLANGE, COMPANION-----	2-D4		2-H9
COVER, DOOR BODY-----	3-E15		3-D12	ELECTRIC UNIT, A. B. S.-----	2-L10		2-D4		2-J8
	3-I15	CUSHION, REAR SEAT-----	3-G13	ELEMENT, AIR CLEANER-----	1-K5	FLANGE, DRIVE-----	1-L13		2-K8
COVER, DUST-----	1-F8		3-K13	END, CONTROL LEVER-----	1-J10	FLANGE, REAR AXLE-----	2-F3		2-K9
	1-J3	CUSHION, RUBBER-----	3-D15	END, S-ROD(1ST&2ND)-----	1-I10	FLOAT-----	2-C10		3-E4
	1-M3		3-I15	END, S-ROD(3RD&4TH)-----	1-I10		2-M9		4-F9
	2-F3	CYL., CLUTCH MASTER-----	4-N10	END, SHIFTER-----	1-J10	FOAM(L), ENGY. ABS.-RR BUMPS-----	3-H3	GASKET & SEAL KIT-----	4-M4
	2-H5	CYL., CLUTCH RELEASE-----	2-M8	END, SHIFT ROD(O. TOP&REV.)-----	1-J10	FOAM(L), ENGY. ABS.-FRT BUMPS-----	3-G3	GASKET NO. 2, IN. MANIFOLD-----	1-E14
	2-I5	CYL., TANDEM MASTER-----	2-D10	ENGINE, SHORT-----	1-C3	FOAM(R), ENGY. ABS.-RR BUMPS-----	3-H3	GASKET SET, ENGINE-----	1-C3
COVER, DUST-CLUTCH FORK-----	1-D9		2-N9	EQUALIZER, GRAPHIC-----	4-J6	FOAM(R), ENGY. ABS.-FRT BUMPS-----	3-G3		1-D3
COVER, END-----	2-J5			ESCUTCHEON-----	3-M14	FORK, BRAKE-----	2-I9	GASKET SET, SUB-ENG.-----	1-C3
	2-M5			EYE BOLT KIT, ST. GEAR-----	2-K9		2-K9		1-D3
COVER, FRONT-----	1-C4				2-K5	FORK, CLUTCH-----	2-H9	GASKET(L)-----	3-H11
	1-K3				2-M5	FORK, CLUTCH RELEASE-----	1-E9	GASKET(L), F. COMB.-----	3-C5
COVER, FRONT CLUTCH-----	1-D9				2-N5	FORK, SHIFTER-----	1-I10	GASKET(R)-----	3-H11
COVER, FRONT-ALTERNATOR-----	1-E11					FORK, SHIFTER(1ST&2ND)-----	1-I10	GASKET(R), F. COMB.-----	3-C5
COVER, FUSE BLOCK-----	4-I7					FORK, SHIFTER(3RD&4TH)-----	1-I10	GASKET, A. C. VALVE-----	1-G6
COVER, HOLE-----	3-H9					FORK, SHIFTER-5TH & REVERSE-----	1-L10	GASKET, B. A. C. VALVE-----	1-C7
	3-I9	DAM(C), AIR-SKIRT-----	4-E13			FRAME(L), BACK-FRT-----	3-N12	GASKET, BLIND COVER-----	1-H9
	4-G5	DAM, AIR-SKIRT-----	4-E13			FRAME(L), CUSHION-FRT-----	3-I13	GASKET, COVER PLATE-----	1-J10
COVER, HOLE-CLUSTER SWITCH	3-F10	DAM, FRT. WSHLD GLASS-----	4-M3			FRAME(L), LAMP LID-----	3-L12	GASKET, DRUM SUPPORT-----	1-G12
COVER, HOLE-H/F.RAME&FEADER	4-E9		4-M3	FABRIC COVERING, ROOF PANE-----	4-H4	FRAME(L), REAR SIDE-----	3-C9	GASKET, EX. MANIFOLD-----	1-M4
COVER, HOLE-LIFT GATE-----	3-E15	DAM, RR. WINDOW GLASS-----	4-M3	FABRIC, TOP-SOFT TOP-----	4-G4		3-G9	GASKET, EXH. PIPE-COMVERTER-----	2-E8
	3-I9	DAMPER-----	3-E10	FAN & FAN DRIVE-----	1-D8	FRAME(L), REAR SIDE-UPPER-----	3-G9		2-I8
	3-I15	DAMPER(L), FRONT-----	2-M6	FAN DRIVE-----	1-D8	FRAME(L), SIDE-FRONT-----	3-M7	GASKET, EXHAUST PIPE-----	2-I8
COVER, HOLE-QTR TRIM-----	4-C13	DAMPER(R), FRONT-----	2-M6	FAN, ADDITIONAL-----	1-N7	FRAME(L), SIDE-OUTER-----	3-C8	GASKET, EXTENSION-----	1-E12
COVER, HOLE-STORAGE BOX-----	4-N10	DAMPER, DYNAMIC-----	1-E10	FAN, COOLING-----	1-C8	FRAME(R), BACK-FRT-----	3-I12	GASKET, FILLER PIPE-----	2-E9
COVER, HORN PAD-----	2-C5	DAMPER, REAR-----	2-J4	FAN, MOTOR-----	4-G3	FRAME(R), CUSHION-FRT-----	3-F12	GASKET, FRONT COVER-----	1-D9

ALPHABETICAL INDEX *** ENGLISH ***

GASKET, FRONT COVER-----	1-K3	GLASS(L), DOOR-FRT-----	3-H14	GUSSET(L), LOCK TOWER-----	3-C9	HINGE, GLASS HATCH-----	4-J3	HOSE, DRAIN-SUN ROOF FRONT	4-E4
GASKET, HINGE-LIFT GATE-----	4-J3	GLASS(L), MIRROR-----	4-E12	GUSSET(L), WHEEL HOUSE-----	3-J8	HINGE, GLOVE LID-----	3-N10	HOSE, EVAPORATION-----	2-F9
GASKET, IN, MANIFOLD-----	1-J4	GLASS(L), QUARTER-F. DOOR-----	3-H14	GUSSET(R), CROSSMEMBER NO1	3-C7	HOUSING(R), FOG LAMP-----	3-D5	HOSE, FLEXIBLE-----	2-C9
GASKET, KEY CYLINDER-----	3-D3	GLASS(L) DOOR-FRT-----	3-E14	GUSSET(L), HINGE PILLER-----	3-G8	HOLDER(L), MOTOR-REGULATOR	3-E15	HOSE, FLUID-START FLUID T.	1-M5
GASKET, LICENSE-----	3-K5	GLASS(R), MIRROR-----	4-E12	GUSSET(R), WHEEL HOUSE-----	3-H8	HOLDER(LOW), ROD-IN, HANDLE	3-F15	HOSE, FUEL-----	2-G10
GASKET, LICENSE LAMP-----	3-K5	GLASS(R), QUARTER-F. DOOR-----	3-H14	GUSSET, FRONT FLOOR-----	3-G9	HOLDER(R), MOTOR-REGULATOR	3-K14	HOSE, FLUID-START FLUID T.	1-M5
GASKET, METERING OIL-----	1-G7	GLASS, BACK WINDOW-----	4-M3	GUSSET, FRONT FLOOR PAN-----	3-F9	HOLDER(UP), ROD-IN, HANDLE	3-F15	HOSE, FUEL-----	1-G5
GASKET, O/D DRIVE CASE-----	1-H12	GLASS, FRONT-WARNING UNIT-----	3-C10	*****		HOLDER, BONNET STAY-----	3-H6	HOSE, FUEL MAIN-----	1-F5
GASKET, OIL CAP-----	1-E3	GLASS, WINDSHIELD-----	4-M3	* * *		HOLDER, BONNET STAY-SHRGUD	3-H6	HOSE, FUEL MAIN-----	2-E11
GASKET, OIL FILLER PIPE-----	1-H3	GRILLE(L), DEF. NOZZLE-----	3-M10	* H *		HOLDER, BRUSH-----	1-H11	HOSE, FUEL RETURN-----	1-F5
GASKET, OIL PAN-----	1-F12	GRILLE(L), DEMISTER-----	3-H11	*****		HOLDER, CLUTCH-----	2-C9	HOSE, JOINT-FILLER PIPE-----	2-E9
GASKET, OIL PIPE-----	1-K3	GRILLE(L), EXTRACTOR-----	3-F6			HOLDER, FUSE-----	4-I7	HOSE, JOINT-FUEL TANK SIDE	2-E9
GASKET, OIL PUMP-----	1-K11	GRILLE(L), SPEAKER-----	3-J10	HANDLE(L), INNER-----	3-G15	HOLDER, HINGE-GRILLE-----	4-G10	HOSE, OIL-----	1-M7
GASKET, OIL STRAINER-----	1-D5	GRILLE(L), SPEAKER-T/TRIM-----	4-K10	HANDLE(L), OUT-----	3-L14	HOLDER, JACK HANDLE-----	2-F7	HOSE, OIL-OIL PUMP-----	1-M11
GASKET, RR. COMB-----	3-15	GRILLE(L), VENT.-DOOR TRIM	3-F16			HOLDER, KEY CYLINDER-----	3-E10	HOSE, PRESSURE-----	2-D6
GASKET, RR. SIDE TURN-----	3-K5	GRILLE(R), COWL-LOWER-----	3-E6	HANDLE(R), INNER-----	3-G15	HOLDER, MOTOR-H.L. CLEANER-	3-J3	HOSE, RETURN-----	2-D6
GASKET, SEAL-----	3-H3	GRILLE(R), DEF. NOZZLE-----	3-M10	HANDLE(R), OUT-----	3-G15	HOLDER, NO. PLATE-----	3-F3	HOSE, VACUUM-----	1-K6
GASKET, SHUTTER VALVE-----	1-L4	GRILLE(R), DEMIST-----	3-H11	HANDLE, EMERGENCY-----	3-N13	HOLDER, P.B. VALVE-----	2-C10	HOSE, VENT-----	1-L11
GASKET, SPOILER-----	4-G13	GRILLE(R), EXTRACTOR-----	3-F6	HANDLE, JACK-----	2-F7	HOLDER, PIN-----	4-I12	HOSE, VENT.-PURGE CONT. V.	1-L6
GASKET, STOP LAMP CAP-----	1-K10	GRILLE(R), SPEAKER-----	4-K10	HANDLE, REGULATING-----	3-M14	HOLDER, PIPE-----	2-F10	HOSE, VENTILATION-----	1-D5
GASKET, STOP LAMP-HI MOUNT	3-J5	GRILLE(R), VENT.-DOOR TRIM	3-E16	HANDLE, SLIDING ROOF-----	4-E4	HOLDER, PUMP-WASHER-----	4-L8	HOSE, VENTILATION-----	1-G5
GASKET, THERMO-----	1-D6	GRILLE(R), VENT.-DOOR TRIM	3-K16	HANGER, COAT-----	4-G12	HOLDER, SOCKET-----	1-G12	HOSE, WATER-----	1-C7
GASKET, THERMOSTAT COVER-----	1-C8	GRILLE(R), VENT.-DOOR TRIM	3-E6	HANGER, ENGINE-----	1-I3	HOLDER, STEERING GEAR-----	2-J5	HOSE, WATER BY-PASS-----	1-C7
GASKET, TUBE-CLIP-----	4-C4	GRILLE(R), VENT.-DOOR TRIM	3-E6	HANGER, ENGINE-REAR-----	1-K3	HOLDER 'A'-----	2-F11	HOSE, WATER SUB TANK-----	1-D8
GASKET, TURBO CHARGER-----	1-D5	GRILLE, COWL-----	3-E6	HANGER, STRAP-----	4-G10	HOLDER 'B'-----	3-J3	HOSE, WATER-B.A.C.V.&R.H.-	1-L6
GASKET, UNDER COVER-----	1-H9	GRILLE, EXTRACT.-T.S. TRIM	4-I11	HARNES, NO.1 REAR-----	4-L7	HOLDER 'B', PIPE-----	2-F11	HOSE, WATER-B.A.C.V.&T.B.-	1-L6
GASKET, VAC POWER ASSIST-----	2-M9	GRILLE, SPEAKER-----	4-F7	HARNES, NO.2 REAR-----	4-L7	HOLDER 'D', PIPE-----	2-G11	HOSE, WATER-T/C WATER-PIPE	1-C5
GASKET, VAPOR VALVE-----	2-G9	GRILLE, SPEAKER-FRT-----	3-K15	HARNES, NO.3 REAR-----	3-E15	HOLDER 'K', PIPE-FUEL-----	2-G11	HOSE 'A', WASHER-----	4-J8
GASKET, WATER DRAIN-INTER.	1-G3	GROMMET-----	1-H5	HARNES(L), ILLUMI.&SWITCH	3-I15	HOOD, METER & CLUSTER SW.-	3-F10	HOSE 'B', WASHER-----	4-J8
GASKET, WATER PUMP-----	1-N7	GROMMET, AIR FLOW METER-----	1-J5	HARNES(L), ILLUMI.&SWITCH	3-I15	HOOK(L), REAR-----	3-J9	HOSE 'C', WASHER-----	4-J8
GASKET, WINDOW REGULATOR-----	3-C15	GROMMET, KNOB-METER SET-----	3-H10	HARNES, BLOWER UNIT-----	4-G3	HOOK(L), TIE DOWN-FRONT-----	3-I7	HOUSING(L), F.COMB-----	3-C5
GASKET 'A', REAR BUMPER-----	3-H3	GROMMET, PROTECTOR-----	3-E4	HARNES, DOOR-DRIVER SIDE-----	4-E8	HOOK(R), REAR-----	3-J9	HOUSING(L), FOG LAMP-----	3-E5
GASSET(R), LOCK TOWER-----	3-N8	GROMMET, SCREW-----	3-E6	HARNES, DOOR-PASSENGER SI	4-E8	HOOK(R), TIE DOWN-FRONT-----	3-I7	HOUSING(L), LAMP-LID HINGE	3-K4
GAUGE UNIT, OIL PRES.-----	4-N4	GROMMET, SCREW-F. WIND.MLD	3-L3	HARNES, FRONT-----	4-F8	HOOK(R), TIE DOWN-FRONT-----	3-I7	HOUSING(L), LAMP-RR FENDER	3-I8
GAUGE, FUEL TANK-----	2-G9	GROMMET, SCREW-QTR TRIM-----	4-K9	HARNES, INSTRUMENT-----	4-D8	HOOK, GLOVE LID-----	3-N10	HOUSING(R), F.COMB-----	3-C5
GAUGE, OIL LEVEL-----	1-F3	GROMMET, SCREW-R.COMB-----	3-H5	HARNES, INT. LAMP-----	4-L7	HOOK, HOOD-REAR CORNER-----	4-K4	HOUSING(R), FOG LAMP-----	3-E5
GEAR-----	1-H11	GROMMET, SCREW-REAR SPOILE	4-F13	HARNES, LIGHT-CLUSTER SW.	4-J5	HOOK, SCREW-QTR TRIM-----	3-G14	HOUSING(L), LAMP-LID HINGE	3-K4
GEAR SET, FINAL-----	2-D4	GROMMET, SCREW-ROLL B. GARN	3-F6	HARNES, REAR-----	4-L7	HOOK, SCREW-TRUNK MAT-----	4-D11	HOUSING(L), LAMP-RR FENDER	3-I8
GEAR, COUNTER-----	1-D10	GROMMET, SCREW-T/SIDE TRIM	4-D10	HARNES, REAR CLIFFOGER-----	4-K4	HOOK 'A', HOOD-----	4-J4	HOUSING(R), F.COMB-----	3-C5
GEAR, COUNTER REVERSE-----	1-C10	GRIMMET, AIR FLOW METER-----	1-J5	HARNES, SLIDING ROOF-----	4-E4	HOOK 'A', HOOD COVER-REAR-----	4-K11	HOUSING(R), LAMP-LID HINGE	3-K4
GEAR, COUNTER SHAFT-----	1-C10	GRIMMET, KNOB-METER SET-----	3-H10	HARNES, WIPER-CLUSTER SW.	4-J5	HOOK 'B', HOOD-----	4-K4	HOUSING(R), LAMP-RR FENDER	3-G8
GEAR, DIFF. SIDE-----	2-L3	GRIMMET, PROTECTOR-----	3-E4	HEADER, FRONT-----	3-K8	HORN, HIGH TONE-----	4-D6	HOUSING, AIR CLEANER-----	1-J5
GEAR, DRIVE-----	1-E4	GRIMMET, SCREW-----	3-E6	HEADER, FRONT-INNER-----	3-L8	HOUSING, CLUTCH-----	1-D9	HOUSING, CONVERTER-----	1-K11
GEAR, DRIVE-OIL PUMP-----	1-E4	GRIMMET, SCREW-F. WIND.MLD	3-L3	HEADER, FRONT-OUTER-----	3-H8	HOUSING, EXTENSION-----	1-E12	HOUSING, FRONT-----	1-G9
GEAR, DRIVE-OIL PUMP-----	1-E4	GRIMMET, SCREW-R.COMB-----	3-H5	HEADER, FRONT-OUTER-----	3-F8	HOUSING, GEAR-----	1-M3	HOUSING, FRONT-----	1-J3
GEAR, DRIVEN-----	1-C12	GRIMMET, SCREW-ROLL B. GARN	3-F6	HEADER, REAR-----	3-K8	HOUSING, INTERMEDIATE-----	1-F3	HOUSING, FRONT-----	1-M3
GEAR, INTERNAL-----	1-G13	GRIMMET, SCREW-T/SIDE TRIM	4-D10	HEATER UNIT-----	3-L8	HOUSING, REAR-----	1-M3	HOUSING, FRONT-----	2-I5
GEAR, INTERNAL-STARTER-----	1-G11	GRIMMET, WASHER TANK-----	3-J3	HINGE-----	4-E3	HOUSING, ROTOR-FRONT-----	1-E3	HOUSING, REAR-----	2-I5
GEAR, MAIN DRIVE-----	1-K9	GUARD(L), MUD-----	3-17	HINGE NO.1, STORAGE BOX-----	4-N10	HOUSING, ROTOR-FRONT-----	1-E3	HOUSING, REAR-----	1-M3
GEAR, OVER DRIVE-----	1-J13	GUARD(R), MUD-----	3-17	HINGE NO.2, STORAGE BOX-----	4-N10	HOUSING, ROTOR-REAR-----	1-E3	HOUSING, REAR-----	1-M3
GEAR, OVER TOP-----	1-E10	GUARD, HARNESS-FRONT-----	4-G11	HINGE(L), BONNET-----	3-H6	HOUSING, ROTOR-REAR-----	1-E3	HOUSING, REAR-----	1-M3
GEAR, REVERSE-----	1-N9	GUIDE(L), REAR-----	4-D4	HINGE(L), DOOR-LOWER-----	3-D14	HOUSING, ROTOR-REAR-----	1-E3	HOUSING, REAR-----	1-M3
GEAR, REVERSE IDLE-----	1-D10	GUIDE(L), REG.-POWER WIND.	3-C15	HINGE(L), DOOR-UPPER-----	3-D14	HOUSING, ROTOR-REAR-----	1-E3	HOUSING, REAR-----	1-M3
GEAR, RING-FLY WHEEL-----	1-E4	GUIDE(R), REAR-----	4-D4	HINGE(L), LID-LAMP-----	3-J4	HOUSING, ROTOR-REAR-----	1-E3	HOUSING, REAR-----	1-M3
GEAR, SHAFT-----	4-C9	GUIDE(R), REG.-POWER WIND.	3-C15	HINGE(L), REAR BACK-----	3-K13	HOUSING, ROTOR-REAR-----	1-E3	HOUSING, REAR-----	1-M3
GEAR, SPEEDO DRIVE-----	1-E10	GUIDE(R), REG.-POWER WIND.	3-C15	HINGE(L), TRUNK LID-----	3-J6	HOUSING, ROTOR-REAR-----	1-E3	HOUSING, REAR-----	1-M3
GEAR, STATIONARY-FRT.-----	1-F3	GUIDE, OIL-----	1-I9	HINGE(R), BONNET-----	3-G6	HOUSING, ROTOR-REAR-----	1-E3	HOUSING, REAR-----	1-M3
GEAR, STATIONARY-RR.-----	1-F3	GUIDE, PCLE-NO.1-----	3-H13	HINGE(R), DOOR-LOWER-----	3-D14	HOUSING, ROTOR-REAR-----	1-E3	HOUSING, REAR-----	1-M3
GEAR, STEERING-----	2-I5	GUIDE 'A' (L), GLASS-----	3-E14	HINGE(R), DOOR-LOWER-----	3-D14	HOUSING, ROTOR-REAR-----	1-E3	HOUSING, REAR-----	1-M3
GEAR, SUN-----	1-G13	GUIDE 'A' (R), GLASS-----	3-E14	HINGE(R), LID-LAMP-----	3-J4	HOUSING, ROTOR-REAR-----	1-E3	HOUSING, REAR-----	1-M3
GEAR, 1ST-----	1-M9	GUIDE 'B' (L), GLASS-----	3-E14	HINGE(R), REAR BACK-----	3-K13	HOUSING, ROTOR-REAR-----	1-E3	HOUSING, REAR-----	1-M3
GEAR, 2ND-----	1-L9	GUIDE 'B' (R), GLASS-----	3-E14	HINGE(R), TRUNK LID-----	3-J6	HOUSING, ROTOR-REAR-----	1-E3	HOUSING, REAR-----	1-M3
GEAR, 3RD-----	1-L9	GUSSET(L), CROSSMEMBER NO1	3-C7	HINGE(R), WIPER-CLUSTER SW.	4-J5	HOUSING, ROTOR-REAR-----	1-E3	HOUSING, REAR-----	1-M3
GENERATOR, SPEED PULSE-----	4-E5	GUSSET(L), HINGE PILLER-----	3-E8	HEADER, FRONT-----	3-K8	HOUSING, ROTOR-REAR-----	1-E3	HOUSING, REAR-----	1-M3
GLASS(L), DOOR-FRT-----	3-E14	GUSSET(L), INST. PANEL-DASH	3-J8	HEADER, FRONT-INNER-----	3-L8	HOUSING, ROTOR-REAR-----	1-E3	HOUSING, REAR-----	1-M3

ALPHABETICAL INDEX *** ENGLISH ***

***** * I * *****	JUNCTION(L), CORNER-Q/PANE 3-N7 JUNCTION(R), CORNER-Q/PANE 3-F8 3-M7	LABEL, CAUTION----- 4-K12 LABEL, CAUTION-BATTERY BOX----- 4-K12 LABEL, CAUTION-RELAY----- 4-C6 LABEL, CHANGE----- 3-E11 LABEL, CAUTION-RETRACTABLE----- 4-K12 LABEL, EMISSION----- 4-L12 LABEL, FUEL ECONOMY----- 4-M12 LABEL, FUEL WARNING----- 4-K12 LABEL, INDICATOR----- 3-D10 LABEL, OIL----- 4-K12 LABEL, TEMPORARY TIRE----- 4-L12 LABEL, TIRE----- 4-K12	LID(L), LAMP----- 3-J4 LID(L), TOP TRIM----- 4-J9 LID(R), LAMP----- 3-J4 LID(R), TOP TRIM----- 4-J9 LID, CONSOLE----- 3-G11 LID, FUEL FILLER----- 2-E9 LID, INNER----- 4-C14 LID, INNER-STORAGE BOX----- 4-C11 LID, OUTER----- 4-C14 LID, OUTER-STORAGE BOX----- 4-C11 LID, SIDE-TRUNK ROOM----- 4-H10	METER, BOOST & OIL----- 3-I10 METER, FUEL & THERMO----- 3-I10 METER, OIL & VOLTAGE----- 3-I10 MIRROR(L), DOOR----- 4-D12 MIRROR(R), DOOR----- 4-H12 MIRROR, INTERIOR----- 4-E12 MODULE, AIR BAG----- 2-E5 MODULE, POWERTRAIN CONTROL----- 4-D5 MODULE, PWT. CONTROL----- 4-D9 MOTOR----- 4-G5 MOTOR(L)----- 3-L4 MOTOR(L), TOP----- 4-L4 MOTOR(L), WINDOW----- 3-C15 MOTOR(R)----- 3-L4 MOTOR(R), TOP----- 4-L4 MOTOR(R), WINDOW----- 3-C15 MOTOR, BLOWER----- 1-C8 MOTOR, COOLING FAN----- 1-C8 MOTOR, SLIDING ROOF----- 4-D4 MOTOR, WIPER----- 4-M8 MOULD SET(L), F. SIDE----- 3-L3 MOULD SET(R), F. SIDE----- 3-L3 MOULD(L), REAR----- 3-M3 MOULD(L), SASH-DOOR----- 3-D14 MOULD(L), STEP-FRT----- 3-G14 MOULD(L), STEP-RR----- 3-M3 MOULD(R), REAR----- 3-M3 MOULD(R), SASH-DOOR----- 3-D14 MOULD(R), STEP-FRT----- 3-M3 MOULD(R), STEP-RR----- 3-M3 MOULD, RR. WINDOW----- 3-L3 MOULD, WINDOW-FRONT----- 3-L3	
IGNITER, IG. COIL-LEADING----- 1-D11 IGNITER, IG. COIL-TRAILING----- 1-D11 INDICATOR----- 3-E11 3-F11 INDICATOR, LEVEL----- 2-C10 2-M9 INJECTION, FUEL-M.P. ELECT.----- 1-H5 INSULATOR----- 2-C8 2-G8 2-G9 2-K8 INSULATOR NO.2, FRONT----- 3-K9 INSULATOR NO.3, FRONT----- 3-K9 INSULATOR(L), BONNET----- 4-F11 INSULATOR(L), CROSS MEMBER----- 4-F11 INSULATOR(L), TIRE HOUSE----- 4-K11 INSULATOR(R)----- 3-K9 INSULATOR(R), BONNET----- 4-F11 INSULATOR(R), CROSS MEMBER----- 4-F11 INSULATOR(R), TIRE HOUSE----- 4-K11 INSULATOR, BONNET----- 4-F11 INSULATOR, DASHBOARD----- 4-K11 4-D11 4-E11 INSULATOR, EX. MANIFOLD----- 1-M4 INSULATOR, FUEL DIST.----- 1-H5 INSULATOR, HEAT----- 1-C5 INSULATOR, HEAT-FRONT----- 3-J9 INSULATOR, HYDRAULIC UNIT----- 2-K10 INSULATOR, INJECTION----- 1-H5 INSULATOR, OIL PAN----- 1-C12 INSULATOR, ROD-ANTENNA----- 4-D7 4-M6 INSULATOR, SPARE TIRE----- 4-E11 4-K11 INSULATOR, TANK-FUEL----- 3-K9 INSULATOR, THROTTLE BODY----- 1-K6 INSULATOR, TOP CEILING----- 4-H4	KEY----- 1-E10 1-F7 1-I7 1-L13 KEY SET----- 3-C3 3-D3 KEY SUB SET(L), DOOR----- 3-E3 KEY SUB SET(R), DOOR----- 3-E3 KEY SUB SET, GLOVE----- 3-E3 KEY SUB SET, IG. SWITCH----- 3-E3 KEY SUB SET, LIFT GATE----- 3-E3 KEY SUB SET, ST. LOCK----- 3-E3 KEY SUB SET, STORAGE----- 3-E3 KEY SUB SET, TRUNK----- 3-E3 KEY, BLANK----- 3-D3 KEY, BLANK-PRIMARY----- 3-E3 KEY, FLY WHEEL----- 1-F4 KEY, PRIMARY----- 3-D3 KEY, SECONDARY----- 3-D3 KEY, SYNCHRONIZER----- 1-L9 1-M9 KEY, WOODRUFF-PULLEY----- 1-D4 KNOB (R), DOOR LOCK----- 3-D15 3-H15 KNOB NO.1----- 4-F3 KNOB(L), DOOR LOCK----- 3-D15 3-H15 KNOB(L), KNUCKLE----- 3-C12 3-F13 KNOB(R), KNUCKLE----- 3-C12 3-F13 KNOB, BALANCE-TUNER----- 4-I6 KNOB, BALANCE-TUNER & DACK----- 4-K6 KNOB, CHANGE LEVER----- 1-K10 1-L10 2-H11 KNOB, CLOCK----- 3-D10 KNOB, DUMMY-CLUSTER SWITCH----- 4-K5 KNOB, HAZARD-CLUSTER SW.----- 4-K5 KNOB, LIGHT-CLUSTER SWITCH----- 4-J5 KNOB, PANEL LIGHT-CLUSTER----- 4-K5 KNOB, REAR DEFFOG-CLUSTER----- 4-K5 KNOB, SMALL-CLUSTER SW.----- 4-K5 KNOB, SURROUND-REAR WIPER----- 4-K5 KNOB, SWITCH-RR WIPER----- 4-K5 KNOB, TONE-TUNER----- 4-J6 KNOB, TONE-TUNER & DECK----- 4-K6 KNOB, TRIPMETER----- 3-I10 KNOB, TURN-CLUSTER SWITCH----- 4-I5 KNOB, VOL.-REMOTE CONTROL----- 4-K6 KNOB, VOLUME-TUNER----- 4-K6 KNOB, WASHER-CLUSTER SW.----- 4-K5 KNOB, WIPER-CLUSTER SWITCH----- 4-K5 KNUCKLE(L), RECLINING----- 3-H13 3-I12 KNUCKLE(L), STEERING----- 2-F6 KNUCKLE(R), RECLINING----- 3-C12 3-F13 KNUCKLE(R), STEERING----- 2-F6	LAMP SET(L), FRT COMB----- 3-C5 LAMP SET(L), RR COMB----- 3-H5 LAMP SET(L), SIDE TUR----- 3-C5 LAMP SET(R), FRT COMB----- 3-C5 LAMP SET(R), RR COMB----- 3-H5 LAMP SET(R), SIDE TUR----- 3-C5 LAMP SUB SET(L), HEAD----- 3-L4 LAMP SUB SET(R), HEAD----- 3-L4 LAMP(L), COURTESY-DR TRIM----- 3-H16 3-J15 LAMP(L), F. FOG----- 3-F5 LAMP(L), SIDE TURN-RR----- 3-K5 LAMP(R), COURTESY-DR TRIM----- 3-H16 3-J15 LAMP(R), F. FOG----- 3-E5 LAMP(R), SIDE TURN-RR----- 3-K5 LAMP, CARGO ROOM----- 3-M5 LAMP, COURTESY----- 3-M5 LAMP, LICENSE----- 3-K5 LAMP, STOP-HI. MOUNT----- 3-J5 LATCH, TRUNK END TRIM----- 4-J11 LENS----- 3-M5 LENS & BODY(L)----- 3-D5 LENS & BODY(L), RR COMB----- 3-C5 LENS & BODY(R)----- 3-C5 LENS & BODY(R), RR COMB----- 3-H5 LENS NO.2(L), RR COMB----- 3-J5 LENS NO.2(R), RR COMB----- 3-J5 LENS(L), COURTESY LAMP----- 3-H16 3-J15 LENS(L), FRT COMB----- 3-C5 LENS(L), RR COMB----- 3-L5 LENS(L), SIDE TURN----- 3-D5 LENS(R), COURTESY LAMP----- 3-H16 3-J15 LENS(R), FRT COMB----- 3-C5 LENS(R), RR COMB----- 3-H5 LENS(R), SIDE TURN----- 3-D5 LENS, A/T INDICATOR-METER----- 3-H10 LENS, COLUMN COVER----- 3-D10 3-E10 LENS, COURTESY----- 3-M5 LENS, FRONT----- 3-I10 LENS, INDICATOR----- 3-I10 LENS, INDICATOR-METER----- 3-H10 LENS, INTERIOR LAMP----- 4-I12 LENS, ROOM LAMP-HEAD CONS.----- 3-N5 LENS, SIDE WALL----- 4-N10 LENS, STOP LAMP-HI. MOUNT----- 3-J5 LENS, WARNING----- 3-I10 LENS, WARNING UNIT----- 3-C10 3-D10 LEVER----- 1-H11 LEVER SET, THROTTLE BODY----- 1-C6 LEVER(L), OPERATING----- 2-H3 LEVER(R), OPERATING----- 2-H3 LEVER, CHANGE----- 1-K10 LEVER, CONTROL----- 1-G10 LEVER, LIFTER----- 3-I12 LEVER, PARKING BRAKE----- 2-N10 LEVER, SELECT----- 1-C14 2-H11 LEVER, THROTTLE----- 1-C6	LID, TRUNK----- 3-J6 LIGHTER, CIGAR----- 4-G5 LINER, HEAD-SOFT TOP----- 4-H4 LINK SET, MODE----- 4-E3 LINK SET, TEMP----- 4-E3 LINK(L), DEFLECTOR----- 4-D4 LINK(R), DEFLECTOR----- 4-D4 LINK, CONNECTING----- 2-H3 LINK, CONTROL-LWR ARM----- 2-L4 LINK, CONTROL-STAB----- 2-K4 2-N6 LINK, FUSIBLE----- 4-C8 LINK, LATERAL----- 2-H4 LINK, SUB-LOWER ARM----- 2-M4 LINK, WIPER----- 4-N8 LOCK PLATE----- 4-C14 LOCK(L), DOOR----- 3-F15 3-K14 LOCK(L), GLASS HATCH----- 4-L3 LOCK(L), HINGE-TOP----- 4-K4 LOCK(L), TOP----- 4-J4 LOCK(R), DOOR----- 3-F15 3-K14 LOCK(R), GLASS HATCH----- 4-J3 LOCK(R), HINGE-TOP----- 4-J4 LOCK(R), TOP----- 4-J4 LOCK, BONNET----- 3-H6 LOCK, CONSOLE-REAR----- 3-F11 LOCK, LID----- 3-J6 LOUVER, CENTER----- 3-I11 LOUVER, LAP-LOWER PANEL----- 3-N10	***** * N * ***** ***** * M * ***** MAGNET----- 1-C12 1-G9 MANIFOLD(R), EXTENSION----- 1-K4 MANIFOLD, EXHAUST----- 1-M4 MANIFOLD, EXTENSION-IN. MAN----- 1-K4 MANIFOLD, INLET----- 1-J4 MAT, END-TRUNK ROOM----- 4-G11 4-L11 MAT, FLOOR----- 4-F11 4-G11 4-L11 MAT, PARKING BRAKE----- 4-G11 4-L11 MAT, TRUNK ROOM----- 4-H11 4-M11 MEMBER NO.3, CROSS-LOWER----- 3-E9 3-N8 MEMBER NO.3, CROSS-UPPER----- 3-E9 3-N8 MEMBER NO.4, CROSS----- 3-F9 3-N8 MEMBER, CROSS----- 2-N6 3-C7 3-L6 MEMBER, CROSS-FRONT FRAME----- 3-K9 MEMBER, CRUSH PAD----- 3-K10 MEMBER, FRONT FLOOR----- 3-G9 MEMBER, REAR END----- 3-H8 MEMBER, T. MISSION MT.----- 2-C8 2-D8 METAL, ROTOR----- 1-G4 METAL, STATIONARY GEAR----- 1-F3 1-H3 METER SET----- 3-H10	NOZZLE (L), DEFROSTER----- 4-C3 NOZZLE (R), DEFROSTER----- 4-C3 NOZZLE, WASHER-F. WIND----- 4-K8 4-M8 NOZZLE, WASHER-H. L. CLEANER----- 3-F3 NOZZLE, WASHER-R. WIND----- 4-D9 1-C6 1-E5 1-E12 1-L12 1-M4 2-C3 2-D3 2-F3 2-F5 2-F6 2-G8 2-H11 2-I4 2-K6 2-K8 2-L4 2-M4 2-N6 3-C13 3-J13 4-D9 1-F11 2-J5 2-M5 NUT, ADJUST-S. ROOF FRAME----- 4-F4 NUT, BONNET BURDGE----- 3-I6 NUT, CAP-REAR SPOILER----- 4-G13 NUT, CLIP----- 3-G3 NUT, EXPANSION----- 3-D11 4-C13 4-M11 NUT, FLANGE----- 2-H4 NUT, FLANGE-CAP----- 3-J7
***** * J * *****	JACK----- 2-F7 JOINT----- 3-F15 3-J3 3-K14 JOINT SET, BALL----- 2-J5 2-N5 JOINT SET, INNER----- 2-D3 JOINT SET, OUTER----- 2-D3 JOINT, BACK WIND MOULD----- 3-L3 JOINT, BALL----- 2-J5 2-M5 JOINT, ELBOW----- 4-E9 JOINT, ELBOW-W. TANK----- 4-J8 4-L8 JOINT, FLARE----- 2-L10 JOINT, HOSE----- 4-D9 4-E9 4-J8 4-L8 JOINT, PIPE----- 1-F3 1-H3 2-E10 2-G10 2-K10 JOINT, RUBBER----- 1-D5 1-N4 JOINT 'L'----- 3-K3 JUNCTION(L), CORNER-Q/PANE 3-H8	***** * K * ***** KEY----- 1-E10 1-F7 1-I7 1-L13 KEY SET----- 3-C3 3-D3 KEY SUB SET(L), DOOR----- 3-E3 KEY SUB SET(R), DOOR----- 3-E3 KEY SUB SET, GLOVE----- 3-E3 KEY SUB SET, IG. SWITCH----- 3-E3 KEY SUB SET, LIFT GATE----- 3-E3 KEY SUB SET, ST. LOCK----- 3-E3 KEY SUB SET, STORAGE----- 3-E3 KEY SUB SET, TRUNK----- 3-E3 KEY, BLANK----- 3-D3 KEY, BLANK-PRIMARY----- 3-E3 KEY, FLY WHEEL----- 1-F4 KEY, PRIMARY----- 3-D3 KEY, SECONDARY----- 3-D3 KEY, SYNCHRONIZER----- 1-L9 1-M9 KEY, WOODRUFF-PULLEY----- 1-D4 KNOB (R), DOOR LOCK----- 3-D15 3-H15 KNOB NO.1----- 4-F3 KNOB(L), DOOR LOCK----- 3-D15 3-H15 KNOB(L), KNUCKLE----- 3-C12 3-F13 KNOB(R), KNUCKLE----- 3-C12 3-F13 KNOB, BALANCE-TUNER----- 4-I6 KNOB, BALANCE-TUNER & DACK----- 4-K6 KNOB, CHANGE LEVER----- 1-K10 1-L10 2-H11 KNOB, CLOCK----- 3-D10 KNOB, DUMMY-CLUSTER SWITCH----- 4-K5 KNOB, HAZARD-CLUSTER SW.----- 4-K5 KNOB, LIGHT-CLUSTER SWITCH----- 4-J5 KNOB, PANEL LIGHT-CLUSTER----- 4-K5 KNOB, REAR DEFFOG-CLUSTER----- 4-K5 KNOB, SMALL-CLUSTER SW.----- 4-K5 KNOB, SURROUND-REAR WIPER----- 4-K5 KNOB, SWITCH-RR WIPER----- 4-K5 KNOB, TONE-TUNER----- 4-J6 KNOB, TONE-TUNER & DECK----- 4-K6 KNOB, TRIPMETER----- 3-I10 KNOB, TURN-CLUSTER SWITCH----- 4-I5 KNOB, VOL.-REMOTE CONTROL----- 4-K6 KNOB, VOLUME-TUNER----- 4-K6 KNOB, WASHER-CLUSTER SW.----- 4-K5 KNOB, WIPER-CLUSTER SWITCH----- 4-K5 KNUCKLE(L), RECLINING----- 3-H13 3-I12 KNUCKLE(L), STEERING----- 2-F6 KNUCKLE(R), RECLINING----- 3-C12 3-F13 KNUCKLE(R), STEERING----- 2-F6	***** * L * ***** LAMP SET(L), FRT COMB----- 3-C5 LAMP SET(L), RR COMB----- 3-H5 LAMP SET(L), SIDE TUR----- 3-C5 LAMP SET(R), FRT COMB----- 3-C5 LAMP SET(R), RR COMB----- 3-H5 LAMP SET(R), SIDE TUR----- 3-C5 LAMP SUB SET(L), HEAD----- 3-L4 LAMP SUB SET(R), HEAD----- 3-L4 LAMP(L), COURTESY-DR TRIM----- 3-H16 3-J15 LAMP(L), F. FOG----- 3-F5 LAMP(L), SIDE TURN-RR----- 3-K5 LAMP(R), COURTESY-DR TRIM----- 3-H16 3-J15 LAMP(R), F. FOG----- 3-E5 LAMP(R), SIDE TURN-RR----- 3-K5 LAMP, CARGO ROOM----- 3-M5 LAMP, COURTESY----- 3-M5 LAMP, LICENSE----- 3-K5 LAMP, STOP-HI. MOUNT----- 3-J5 LATCH, TRUNK END TRIM----- 4-J11 LENS----- 3-M5 LENS & BODY(L)----- 3-D5 LENS & BODY(L), RR COMB----- 3-C5 LENS & BODY(R)----- 3-C5 LENS & BODY(R), RR COMB----- 3-H5 LENS NO.2(L), RR COMB----- 3-J5 LENS NO.2(R), RR COMB----- 3-J5 LENS(L), COURTESY LAMP----- 3-H16 3-J15 LENS(L), FRT COMB----- 3-C5 LENS(L), RR COMB----- 3-L5 LENS(L), SIDE TURN----- 3-D5 LENS(R), COURTESY LAMP----- 3-H16 3-J15 LENS(R), FRT COMB----- 3-C5 LENS(R), RR COMB----- 3-H5 LENS(R), SIDE TURN----- 3-D5 LENS, A/T INDICATOR-METER----- 3-H10 LENS, COLUMN COVER----- 3-D10 3-E10 LENS, COURTESY----- 3-M5 LENS, FRONT----- 3-I10 LENS, INDICATOR----- 3-I10 LENS, INDICATOR-METER----- 3-H10 LENS, INTERIOR LAMP----- 4-I12 LENS, ROOM LAMP-HEAD CONS.----- 3-N5 LENS, SIDE WALL----- 4-N10 LENS, STOP LAMP-HI. MOUNT----- 3-J5 LENS, WARNING----- 3-I10 LENS, WARNING UNIT----- 3-C10 3-D10 LEVER----- 1-H11 LEVER SET, THROTTLE BODY----- 1-C6 LEVER(L), OPERATING----- 2-H3 LEVER(R), OPERATING----- 2-H3 LEVER, CHANGE----- 1-K10 LEVER, CONTROL----- 1-G10 LEVER, LIFTER----- 3-I12 LEVER, PARKING BRAKE----- 2-N10 LEVER, SELECT----- 1-C14 2-H11 LEVER, THROTTLE----- 1-C6	***** * N * ***** ***** * M * ***** MAGNET----- 1-C12 1-G9 MANIFOLD(R), EXTENSION----- 1-K4 MANIFOLD, EXHAUST----- 1-M4 MANIFOLD, EXTENSION-IN. MAN----- 1-K4 MANIFOLD, INLET----- 1-J4 MAT, END-TRUNK ROOM----- 4-G11 4-L11 MAT, FLOOR----- 4-F11 4-G11 4-L11 MAT, PARKING BRAKE----- 4-G11 4-L11 MAT, TRUNK ROOM----- 4-H11 4-M11 MEMBER NO.3, CROSS-LOWER----- 3-E9 3-N8 MEMBER NO.3, CROSS-UPPER----- 3-E9 3-N8 MEMBER NO.4, CROSS----- 3-F9 3-N8 MEMBER, CROSS----- 2-N6 3-C7 3-L6 MEMBER, CROSS-FRONT FRAME----- 3-K9 MEMBER, CRUSH PAD----- 3-K10 MEMBER, FRONT FLOOR----- 3-G9 MEMBER, REAR END----- 3-H8 MEMBER, T. MISSION MT.----- 2-C8 2-D8 METAL, ROTOR----- 1-G4 METAL, STATIONARY GEAR----- 1-F3 1-H3 METER SET----- 3-H10	NOZZLE (L), DEFROSTER----- 4-C3 NOZZLE (R), DEFROSTER----- 4-C3 NOZZLE, WASHER-F. WIND----- 4-K8 4-M8 NOZZLE, WASHER-H. L. CLEANER----- 3-F3 NOZZLE, WASHER-R. WIND----- 4-D9 1-C6 1-E5 1-E12 1-L12 1-M4 2-C3 2-D3 2-F3 2-F5 2-F6 2-G8 2-H11 2-I4 2-K6 2-K8 2-L4 2-M4 2-N6 3-C13 3-J13 4-D9 1-F11 2-J5 2-M5 NUT, ADJUST-S. ROOF FRAME----- 4-F4 NUT, BONNET BURDGE----- 3-I6 NUT, CAP-REAR SPOILER----- 4-G13 NUT, CLIP----- 3-G3 NUT, EXPANSION----- 3-D11 4-C13 4-M11 NUT, FLANGE----- 2-H4 NUT, FLANGE-CAP----- 3-J7

ALPHABETICAL INDEX FROM ENGLISH FROM

NUT, FLANGE-CAP-----	4-D11	PANEL, MOUNTING-ANTENNA-----	4-D7	PANEL (RR, L), QUARTER-LOW.-----	3-N7	PINION-----	1-H11	PIPE 'B', CYLINDER-----	2-N5
	4-K11		4-M6	PANEL (RR, R), QUARTER-LOW.-----	3-F8	PINION, DIFFERENTIAL-----	2-M5	PIPE 'B', ST. GEAR-----	2-N5
NUT, HOOD OUTER-----	4-H4	PAD, PEDAL-----	2-H9		3-L7	PIPE-----	3-J3	PISTON, ACCUM-----	1-M12
NUT, HUB-----	2-C7		2-K9	PANEL / FABRIC, ROOF-----	4-I4		4-E6	PISTON, ACCUMULATOR-----	1-G12
NUT, LOCK-----	1-F4	PAD, PROTECTOR-----	4-C7	PANEL, BULK HEAD-----	3-G9		4-E7	PISTON, BAND SERVO-----	1-D12
	2-D4		4-F7	PANEL, CENTER-----	3-C10		4-J8	PISTON, CLUTCH-----	1-E13
NUT, LOCK-CLUTCH HUB-----	1-F10	PAD, REAR SUSPENSION-----	4-M6	PANEL, COWL-----	3-K7		4-L8	PISTON, FLOATING-----	2-D10
NUT, LOCK-COUNTER SHAFT BR-----	1-D10	PAD, RR SEAT BACK-----	3-K13	PANEL, DASH-LOWER-----	3-K7	PIPE NO.2, OIL FILLER-----	4-N6	PISTON, LOW & REVERSE-----	1-L13
NUT, LOCK-RACK-----	2-I5	PAD, RR SEAT CUSHION-----	3-K13	PANEL, DASH-UPPER-----	3-K7	PIPE NO.2, VACUUM-----	1-N3	PISTON, N/D ACCUM-----	1-M12
	2-L5	PAD, SIDE-FRT CUSHION-----	3-C13	PANEL, RAD. SHROUD-----	3-C7	PIPE (L), BRAKE-FRONT-----	1-N6	PISTON, O.W. VALVE-----	2-M8
NUT, LOWER ARM-----	2-E3		3-N12		3-L6		2-E10	PISTON, PRIMARY-----	2-D10
NUT, MOUNTING-ANTENNA-----	4-D7	PAD, STRAGE BOX-----	4-E11	PANEL, REAR END-----	3-H8		2-F10		2-N9
	4-M6		4-F11	PANEL, ROOF-----	3-N7		2-G10	PISTON, 1/2 ACCUM-----	1-M12
NUT, SHAFT-----	1-C14	PAD, SUSPENSION-----	4-K11		3-K8	PIPE (L), REAR BRAKE-----	2-H10	PLATE-----	1-E4
NUT, SPEED-----	3-E16	PAD, TANK PROTECTOR-----	2-E7	PANEL, SLIDING ROOF-----	4-I4		2-H10		2-I4
	3-K16		2-L10	PANEL, SWITCH-----	3-F11	PIPE (R), BRAKE-FRONT-----	2-E10		2-K9
NUT, SPEED-STEERING LOCK-----	4-I11	PAD, TRUNK-----	4-F11	PARTS KIT, INN.-BRAKE-----	2-D10		2-F10	PLATE NO.1, PRINT-----	3-H10
NUT, SPRING-----	3-G3	PAN, FLOOR-FRONT-----	3-D9		2-N9		2-G10		3-I10
	3-J10	PAN, FLOOR-REAR-----	3-M8	PARTS KIT, INN.-CLUTCH-----	2-N9	PIPE (R), REAR BRAKE-----	2-H10	PLATE NO.1, SET-F. BUMPER-----	3-F3
	4-G13		3-M8	PARTS KIT, INNER-----	2-M8		2-H10	PLATE NO.2(L), SET-F. BUMPE-----	3-F3
NUT, SPRING-AIR DAM SKIRT-----	4-E13	PAN, OIL-----	1-F12		2-N9	PIPE, AIR-----	1-N4	PLATE NO.2(R), SET-F. BUMPE-----	3-F3
NUT, STOPPER-----	1-M7		1-K3	PARTS SET-----	4-C9		2-G8	PLATE NO.3(L), SET-F. BUMPE-----	3-G3
NUT, WIPER ARM-FRONT-----	4-N8	PAN, SPARE TIRE-----	3-E9	PARTS SET, HORN CAP-----	4-G9		2-K8	PLATE NO.3(R), SET-F. BUMPE-----	3-G3
			3-M8	PARTS SET, ST. WHEEL-----	2-N4	PIPE, AIR INTAKE-INT. COOLE-----	1-C5	PLATE SET-----	2-K6
*****		PANEL (L), COWL SIDE-----	3-N8	PARTS SET, ST. WHEEL-----	2-N4	PIPE, AIR-VALVE ACTUATOR-----	1-C7	PLATE SET, REAR DAMPER-----	2-H4
* 0 *			3-H7	PASS, OIL-----	1-I9		1-N6	PLATE (C), SET-REAR BUMPER-----	3-H3
* * *		PANEL (L), DUCT-RAD. SHROUD-----	3-E7	PAWL, PARKING-----	1-D14	PIPE, BRAKE-FRT-----	2-F10	PLATE (F., L), CLOSING-----	3-H7
*****			3-M6	PEDAL & ARM-----	2-D9		2-G10	PLATE (F., R), CLOSING-----	3-G7
OPENER, FILLER LID-----	2-F9	PANEL (L), FENDER-FRT-----	3-F7	PEDAL, BRAKE-----	2-I9	PIPE, BRAKE-REAR-----	2-F10	PLATE (FRT), SET-ROOF PANEL-----	4-I4
OPENER, L/GATE & F/LID-----	4-J3	PANEL (L), FENDER-REAR-----	3-D8		2-K9		2-H10	PLATE (L), CORNER-----	3-I8
OPENER, T/LID & F/LID-----	3-J6		3-J8	PEDAL, CLUTCH-----	2-H9	PIPE, CLUTCH-----	2-C9	PLATE (L), END-----	3-N7
ORIFICE-----	1-K5	PANEL (L), LOWER-----	3-K10	PELLET, THERMO-----	1-M7	PIPE, DRAIN-RR FENDER-----	3-L7	PLATE (L), FIXING-SIDE SILL-----	4-H10
	1-M6	PANEL (L), LOWER-SLDG ROOF-----	4-D4	PELLET, THERMO-ECCENTRIC-----	1-D4	PIPE, EVAPO-----	2-E11	PLATE (L), FRONT SCUFF-----	4-H10
ORNAMENT, CAR NAME-REAR-----	3-C6	PANEL (L), OUT.-FRT DOOR-----	3-D14	PIECE, DISTANCE-----	2-E4	PIPE, EVAPORATION-----	2-E11	PLATE (L), KICK-D. TRIM-----	3-I16
ORNAMENT, GRADE-REAR-----	3-C6		3-G14	PIECE, SIDE-----	1-G4		2-F9		3-L15
ORNAMENT, GRADE-SIDE-----	3-C6	PANEL (L), QTR-REAR END-----	3-C8	PIECE, 2ND.-APEX SEAL-----	1-G4	PIPE, EVAPORATION-FRONT-----	2-E11	PLATE (L), REAR CORNER-IN.-	3-I8
ORNAMENT, MAKER NAME-REAR-----	3-C6	PANEL (L), QUARTER-----	3-N8	PILLAR (L), FRONT-OUT-----	3-C8	PIPE, EXHAUST-FRONT-----	2-E8	PLATE (L), SEAL-----	3-M8
ORNAMENT, STERED-----	4-H6		3-N7		3-J8		2-I8	PLATE (L), SEAL-CLOSING-----	3-I7
ORNAMENT, STEREO-UPPER-----	4-H6	PANEL (L), SHROUD-----	3-D7	PILLAR (L), FRT.-INNER-----	3-C8	PIPE, FILLER-----	2-E9	PLATE (L), SEAL-RR S/FRAME-----	3-F9
ORNAMENT, TURBO-SIDE-----	3-C6		3-M6		3-I8	PIPE, FILLER NO.2-----	2-E9	PLATE (L), SET-RR BUMPER S-----	3-H3
*****		PANEL (L), SHROUD-SIDE-----	3-C9	PILLAR (L), HINGE-----	3-C8	PIPE, FILLER-F. WASHER TANK-----	4-J8		3-I3
* P *		PANEL (L), SIDE SEAL-----	3-C9		3-I8		4-L8	PLATE (R), CORNER-----	3-G8
* * *		PANEL (L), SIDE SILL-----	3-C8	PILLAR (L), HINGE-OUT-----	3-J8	PIPE, FILLER WASH TANK-----	3-K3	PLATE (R), END-----	3-L7
*****			3-I8	PILLAR (L, UP.), FRONT-----	3-C8	PIPE, FUEL-MAIN-----	2-E11	PLATE (R), FIXING-SIDE SILL-----	3-G8
PACK, SILENT-----	3-G11	PANEL (L), SIDE-CRUSH PAD-----	3-C11	PILLAR (R), FRONT-OUT-----	3-J8	PIPE, HEATER-----	4-C3	PLATE (R), FRONT SCUFF-----	4-H10
PAD-----	3-D15	PANEL (L), WHEEL APRON-----	3-G7		3-G8	PIPE, HEATER UNIT-----	4-E3		4-L10
	4-D7		3-H7	PILLAR (R), FRT.-INNER-----	3-M7	PIPE, MIDDLE-----	2-F8	PLATE (R), KICK-D. TRIM-----	3-I16
	4-M6	PANEL (L), WHEEL HOUSE-----	3-C8		3-G8		2-J8		3-K15
PAD NO.1, GARNISH-UPPER-----	3-L10		3-H8	PILLAR (R), HINGE-----	3-M7	PIPE, OIL-----	1-O5	PLATE (R), REAR CORNER-IN.-	3-F8
PAD NO.1, INST PANEL-----	3-J10		3-I8	PILLAR (R), HINGE-OUT-----	3-J8		1-L11	PLATE (R), SEAL-----	3-F8
PAD NO.2, GARNISH-UPPER-----	3-L10	PANEL (R), COWL SIDE-----	3-F8	PILLAR (R, UP.), FRONT-----	3-M7	PIPE, OIL FILLER-----	1-F3	PLATE (R), SEAL-CLOSING-----	3-I7
PAD SUB SET, FRT CALIPER-----	2-I6		3-L7		2-I6		1-M3	PLATE (R), SEAL-RR S/FRAME-----	3-D9
PAD SUB SET, RR CALIPER-----	2-I3	PANEL (R), DUCT-RAD. SHROUD-----	3-E7	PIN-----	2-J9	PIPE, OIL INLET-----	1-C5		3-M8
PAD (CTR), SPACER-SOFT TOP-----	4-H4		3-N6	PIN, BELT-BACK WINDOW-----	4-G4		1-O5	PLATE (R), SET-REAR BUMPER-----	3-H3
PAD (L), CUSHION-FRT-----	3-I13	PANEL (R), FENDER-FRT-----	3-F7	PIN, CHECKER-----	3-F15	PIPE, OIL LEVEL GAUGE-----	1-E3	PLATE (R), SET-RR BUMPER S-----	3-H3
	3-K12	PANEL (R), FENDER-REAR-----	3-D8		3-K14		1-G3	PLATE (RR., L), CLOSING-----	3-M7
PAD (L), SIDE-DASHBOARD-----	4-F11		3-J8	PIN, DOWEL-----	1-J3	PIPE, OIL OUTLET-F COVER-----	1-J7	PLATE (RR., R), CLOSING-----	3-G7
	4-L11	PANEL (R), LOWER-----	3-K10		1-M3	PIPE, PEDAL-----	2-I9	PLATE (RR.), SET-ROOF PANEL-----	4-I4
PAD (R), BACK-FRT-----	3-H12	PANEL (R), LOWER-SLDG ROOF-----	4-D4	PIN, DRIVEN GEAR-----	1-G7	PIPE, REAR WASHER-LOWER-----	4-D9	PLATE (UP.), SET-FASCIA-----	3-D7
PAD (R), CUSHION-FRT-----	3-F12	PANEL (R), OUT.-FRT DOOR-----	3-D14		1-K7	PIPE, REAR WASHER-UPPER-----	4-D9		3-L6
	3-H13		3-G14	PIN, GUIDE-----	2-H3	PIPE, RETURN-----	2-D6	PLATE (UP., L), COWL SIDE-OU-----	3-E8
PAD (R), SIDE-DASHBOARD-----	4-F11	PANEL (R), QTR-REAR END-----	3-N7	PIN, GUIDE-FRT CALIPER-----	2-H6	PIPE, SCREEN WASHER-----	4-K8		3-L7
	4-L11	PANEL (R), QUARTER-----	3-F8	PIN, INTER LOCK-----	1-I10		4-M8	PLATE (UP., R), COWL SIDE-OU-----	3-E8
PAD (R), SPACER-SOFT TOP-----	4-H4		3-L7	PIN, INTERIOR MIRROR-----	4-F12	PIPE, VACUUM-----	1-K6		3-L7
PAD, ACCEL. PEDAL-----	2-D9	PANEL (R), SHROUD-----	3-C7	PIN, JOINT-----	3-D13		1-L6	PLATE ABSORBER-----	1-M4
PAD, CHANGE BOOT-----	3-G11		3-L6	PIN, LOCK-----	2-H3		1-L11	PLATE, BACKING-----	1-K11
PAD, CRUSH-----	3-J10	PANEL (R), SHROUD-SIDE-----	3-L6	PIN, PAD-FRONT BRAKE-----	2-H6		2-C10	PLATE, BAFFLE-DIFF CASING-----	2-G4
PAD, FLOOR-REAR-----	4-K11	PANEL (R), SIDE SILL-----	3-F9	PIN, PIVOT-CLUTCH REL. FORK-----	1-D9		2-D10		2-N3
PAD, FOOT REST-----	2-I9		3-M8	PIN, SNAP-----	2-H11	PIPE, VANE PUMP-----	2-M9	PLATE, CAM-----	2-L4
	2-K9	PANEL (R), SIDE-CRUSH PAD-----	3-C11		2-I9		2-M9	PLATE, CAUTION-----	4-L12
PAD, FRONT FLOOR-----	4-E11	PANEL (R), SIDE-RR FLOOR-----	3-D9	PIN, SPRING-----	1-E3	PIPE, VINYL-----	4-J8	PLATE, CLAMP-----	2-M5
	4-K11		3-M8		1-E3		4-L8		2-G5
PAD, FUEL TANK-----	2-F9	PANEL (R), WHEEL APRON-----	3-F7	PIN, SPRING-STEERING GEAR-----	1-G3	PIPE, WATER IN -TURBO CHAR-----	1-C5	PLATE, CONTACT-----	2-E5
PAD, HORN-----	2-C5		3-G7		2-J5	PIPE, WATER OUT -TURBO CHA-----	1-C5	PLATE, CRANKSHAFT PULLEY-----	1-D4
	2-D5	PANEL (R), WHEEL HOUSE-----	3-M7	PIN, TOP INDICATOR-----	2-M5	PIPE 'A', CYLINDER-----	2-K5	PLATE, DISC-----	2-F3
			3-H8		1-K3		2-N5	PLATE, DISHED-----	1-E13
		PANEL (RR, L), QUARTER-LOW.-----	3-M7	PIN, TUBULAR-----	1-J3	PIPE 'A', ST. GEAR-----	2-K5	PLATE, DRAIN PLUG-UNDER C-----	1-H9
			3-H8		1-M5	PIPE 'B', CYLINDER-----	2-K5	PLATE, DRIVE-----	1-K11
								PLATE, DRIVEN-----	1-E13

ALPHABETICAL INDEX *** ENGLISH ***

PLATE, DRIVEN-----	1-M13	PLUG, HOLE-HATCH FRAME LOW	4-L3	PROTECTOR'E'(L), SIDE	3-H4	REINF. (R), COWL SIDE PANEL	3-E8	RING, 'O'	1-E3
PLATE, EARTH-MOTOR ANTENNA	4-D7	PLUG, HOLE-HATCH FRAME UP	4-L3	PROTECTOR'E'(R), SIDE	3-G4	REINF. (R), COWL SIDE-INNER	3-L7		1-E12
	4-M6	PLUG, HOLE-LAMP & WIP. HARN	4-K3		3-H4		3-E8		1-F3
PLATE, FIXING-----	3-L8	PLUG, JET-----	1-E3	PROTR. STUD-DIVISION CHAN-	3-I14		3-L7		1-F4
PLATE, FLASHER-C. P. UNIT-	4-M5		1-G3	PRUG, DRAIN HOSE-RR FLOOR-	4-H4	REINF. (R), F. PILLER INNER	3-E8		1-G3
PLATE, FRONT-SOFT TOP-----	4-H4	PLUG, LOCK UP-----	1-M12	PULLEY-----	1-F11	REINF. (R), NO. 3 MEMBER-UP	3-E9		1-G7
PLATE, GUARD-CALIPER BRAKE	2-G3	PLUG, MAGNET-----	1-G9	PULLEY, AIR PUMP-----	1-G6	REINF. (R), QTR PANEL-REAR	3-O8		1-G12
PLATE, HOLDER-BRUSH-----	4-C9		2-D4	PULLEY, CRANKSHAFT-----	1-D4	REINF. (R), RAD. SHROUD	3-L6		1-H5
	4-G9		2-K3	PULLEY, IDLE-----	1-F8	REINF. (R), SIDE SILL	3-G8		1-H7
PLATE, HUB-DISK-----	2-F6	PLUG, OIL JET-----	1-D4	PULLEY, VANE PUMP-----	2-D6		3-M7		1-H9
PLATE, LIGHT GUIDE-METER-----	3-I10	PLUG, PINION-----	2-T5	PULLEY, WATER PUMP-----	1-N7	REINF. (R), STRIKER-----	3-O8		1-H12
PLATE, LOCATING-----	1-K4	PLUG, REGULATER-----	1-J12	PUMP KIT-----	3-K3	REINF. (R), WHEEL APRON-----	3-H7		1-I3
PLATE, LOCK-----	2-F4	PLUG, SERVICE COVER-----	2-F10	PUMP SET, WATER-----	1-N7	REINF. (UP), FINISHER-REAR	3-E6		1-J3
	2-M3		2-H8	PUMP, AIR-----	1-G6	REINF. , CROSSMEMBER NO3-UP	3-E9		1-J4
	4-N10		2-L8	PUMP, FUEL-----	1-F5	REINF. , JOINT HOSE-FUEL	2-E9		1-J7
PLATE, LOCK-ASH TRAY-----	3-E10		3-F5	PUMP, METERING OIL-----	1-G7	REINF. , SPARE TIRE	3-E9		1-J12
PLATE, MANUAL-----	1-C14	PLUG, SOCKET-----	1-F3		1-J7	REINF. 'A'(L), FRONT FLOOR	3-F9		1-K7
PLATE, MAT SET-----	4-H11		1-H3	PUMP, OIL-----	1-F7	REINF. 'A'(L), RAD. SHROUD	3-D7		1-M3
	4-I11		1-H3		1-I7	REINF. 'A'(R), FRONT FLOOR	3-D9		1-M11
PLATE, MIDDLE-----	1-F7	PLUG, SPARK-----	1-N10	PUMP, VANE-----	1-K11	REINF. 'A'(R), RAD. SHROUD	3-C7		1-N12
	1-I7	PLUG, SQUARE HEAD-----	1-C12	PUMP, WASHER-----	2-D6	REINF. 'B'(L), FRONT FLOOR	3-F9		4-O5
PLATE, MODEL-----	4-K12	PLUG, STOPPER-----	1-L12		4-E9	REINF. 'B'(L), RAD. SHROUD	3-D7		4-E5
PLATE, MOUNTING-RR DAMPER-	2-H4	PLUG'A', BLIND-S. SPOILER	3-O4		4-K8	REINF. 'B'(R), FRONT FLOOR	3-D9		4-N4
PLATE, PARTITION-----	3-C10	PLUG'B', BLIND-S. SPOILER	3-O4		4-M8	REINF. 'B'(R), RAD. SHROUD	3-C7		4-D7
PLATE, RETAINING-----	1-C14	PLUNGER, CONTROL-----	1-C4			REINF. 'C'(L), FRONT FLOOR	3-F9		4-M6
	1-F13		1-F7			REINF. 'C'(L), RAD. SHROUD	3-D7		1-F5
	1-J13	POLE, ANTENNA-----	4-E7			REINF. 'C'(R), FRONT FLOOR	3-D9		1-G4
	1-M13		4-N6			REINF. LOCK-R. END PANEL	3-E8		2-D10
PLATE, SEAL-FRONT BUMPER---	3-F3	PROTECTOR-----	1-F5			REINFORCEMENT, BUMPER	3-F3		2-N9
PLATE, SEAL-RAD. SHROUD---	3-E7		1-G5			REINFORCEMENT, FOOT	3-K8		4-D7
	3-N6		1-L12	RACE, BEARING-----	1-H13	REINFORCEMENT, TUNNEL-FRT	3-D9		4-M6
PLATE, SEPARATOR-----	1-K12		1-M6	RACE, BEARING OIL DISTR---	1-I13	REINFORCEMENT, TUNNEL-REAR	3-E9		4-N4
	1-L12		1-M7	RELAY-----	1-M13	RELAY	4-G3		1-G4
PLATE, SET-----	2-N4		2-I9	RACE, BRG. HUB CLUTCH-----	1-J13	RELAY & COVER, NORMAL CLOS	4-M5		2-D6
PLATE, SET-FASCIA-----	3-C7		4-G5	RACE, BRG. PUMP COVER-----	1-H13	RELAY, FUEL PUMP	4-E5		1-J3
	3-L6		4-G13	RACE, INNER-----	1-D12	RELAY, MAIN	4-C5		1-M3
PLATE, SET-HINGE BRACKET---	3-E8	PROTECTOR NO.2-----	2-H8	RACE, OUTER-----	1-M9	RELAY, MOTOR-ANTENNA	4-D7		2-E6
PLATE, SET-HOLDER-----	3-H6	PROTECTOR(L), AIR BAG-----	3-I7	RACE, OUTER-ONE WAY CLUTCH	1-L13	RELAY, MOTOR-HYD. UNIT	2-K10		4-N4
PLATE, SET-HOOD REAR-----	4-I4	PROTECTOR(L), DOOR SASH---	3-I14	RACE, SHELL BEARING-----	1-G13	RELAY, N.O.	4-E5		2-N5
PLATE, SHROUD-UPPER-----	3-C7	PROTECTOR(L), RETRACTABLE-	3-J4	RACK, STEERING GEAR-----	2-I5		4-M5		2-N6
	3-L6	PROTECTOR(L), RR. COMB-----	3-I5		2-L5		4-N5		1-G3
PLATE, SIDE 'A'-----	1-K12	PROTECTOR(L), SPLASH-----	3-H8	RADIATOR-----	1-C8	RELAY, SLIDE ROOF-----	4-C4		1-J10
PLATE, SIDE 'B'-----	1-K12		3-N7	RAIL(L), GUIDE-----	1-D8	RELAY, SLIDING ROOF-----	4-E4		1-K9
PLATE, SIDE 'D'-----	1-J12	PROTECTOR(R), AIR BAG-----	3-I7	RAIL(L), RAIN-----	4-D4	RELAY, TRANSFER-----	4-N5		2-E3
PLATE, STABILIZER-----	2-N6	PROTECTOR(R), DOOR SASH---	3-I14	RAIL(L), ROOF-INNER-----	3-C8	RELAY, VALVE-HYD. UNIT	2-K10		2-M9
PLATE, STABILIZER-RR-----	2-K4	PROTECTOR(R), RETRACTABLE-	3-J4	RAIL(L), ROOF-OUTER-----	3-I8	REPAIR KIT-----	2-N9		3-14
PLATE, THRUST-----	1-E4	PROTECTOR(R), RR. COMB-----	3-I5	RAIL(R), GUIDE-----	4-C4	RESISTOR, SOL -FUEL PUMP---	4-C5		1-D10
PLATE, UPPER-----	3-E11	PROTECTOR(R), SPLASH-----	3-F8	RAIL(R), RAIN-----	4-D4	REST(L), ARM-----	3-G16		1-C12
PLATE, WATER BAFFLE-----	1-N7	PROTECTOR(R), BONNET BURDGE--	3-G6		3-G8	REST(R), ARM-----	3-F16		1-M12
PLATE 'A' (L), CLOSING-FRT---	3-F9	PROTECTOR, CONVERTER-----	2-H8	RAIL(R), ROOF-INNER-----	3-M7	REST, FOOT-----	3-L16		1-C14
	3-N8		2-L8	RAIL(R), ROOF-OUTER-----	3-M7		2-I9		1-D10
PLATE 'A' (R), CLOSING-FRT---	3-D9	PROTECTOR, COWL GRILL-----	3-E6	RECE, SIDE-ONE WAY CLUTCH-	1-I13	RESTRAINT, HEAD-----	3-C12		1-E13
	3-M8	PROTECTOR, EVAPD HOSE-----	2-F11	RECTIFIER-----	1-E11		3-G13		1-F7
PLATE 'A' (R), CLOSING-RR---	3-E9	PROTECTOR, FRONT PIPE-----	2-K8	REGULATOR(L), WINDOW-----	4-M7	RETAINER-----	1-C14		1-F10
	3-M8	PROTECTOR, FUEL HOSE-----	1-G5	REGULATOR(R), WINDOW-----	3-C15	RETAINER(C), FORMING BAR---	4-J4		1-F13
PLATE 'B' (L), CLOSING-FRAME	3-C9	PROTECTOR, HANGER BRACKET---	2-E11	REGULATOR, PRESSURE-----	3-H15	RETAINER(L), FORMING BAR---	4-J4		1-G13
PLATE 'B' (R), CLOSING-FRAME	3-M8	PROTECTOR, HOSE-FLUID V. ---	1-M5	REGULATOR, VOL TAGE-----	3-H15	RETAINER(L), ROOF PANEL-----	4-K4		1-I7
PLATE 'C' (L), CLOSING-FRAME	3-C9	PROTECTOR, HOSE-SUB TANK---	1-E8	REINF. (L), A. B. S. -APRON---	3-N14	RETAINER(R), FORMING BAR---	4-J4		1-J13
	3-G9	PROTECTOR, NO. PLATE-----	3-G3	REINF. (L), COWL SIDE PANEL	1-F7	RETAINER(R), ROOF PANEL-----	4-K4		1-L9
PLATE 'C' (R), CLOSING-FRAME	3-E9	PROTECTOR, R. FINISHER-----	3-E6	REINF. (L), F. PILLER INNER	1-J7	RETAINER, ACCEL. ROD-----	2-D9		1-L13
	3-M8	PROTECTOR, RR. SPOILER-CTR	4-G13	REINF. (L), NO. 3 MEMBER-UP	1-E11	RETAINER, FRT. BUMPER-----	3-G3		1-M13
PLATE 'E', SIDE-----	1-M12	PROTECTOR, RR. FINISHE-----	3-E6	REINF. (L), QTR PANEL-REAR	3-H7	RETAINER, LOCK CYL.-----	3-O3		3-C15
PLATE 'F', SIDE-----	1-M12	PROTECTOR, SPONGE-----	1-D5	REINF. (L), RAD. SHROUD	4-E8	RETAINER, SERVO-----	1-E12		1-E3
PLUG-----	1-C4	PROTECTOR, SPONGE-AIR HOSE	1-M6	REINF. (L), RAD. SHROUD	4-E8	RETAINER, SPRING-----	1-M12		1-G3
	1-E11	PROTECTOR, SPONGE-WAT. HOSE	1-M6	REINF. (L), SIDE SILL-----	3-L7	RETRACTOR SET(L), HEAD L.---	1-E13		1-G3
	1-H9	PROTECTOR, STOP LAMP-HI. MO	3-J5	REINF. (L), F. PILLER INNER	4-M7	RETRACTOR SET(R), HEAD L.---	3-K4		1-G3
	1-L3	PROTECTOR 'A' (L), SIDE-----	3-E4	REINF. (L), NO. 3 MEMBER-UP	3-G9	RING-----	1-C8		3-J13
PLUG SET, SPARK-----	1-N10	PROTECTOR 'A' (L), SIDE-----	3-E4	REINF. (L), QTR PANEL-REAR	3-M6	RING SET, 'O'-----	1-M13		1-G10
PLUG, BLIND-----	1-G3	PROTECTOR 'B' (L), SIDE-----	3-F4	REINF. (L), RAD. SHROUD	4-M6		1-C3		1-M12
	1-M3	PROTECTOR 'B' (L), SIDE-----	3-F4	REINF. (L), ROOF RAIL-----	3-C8		1-O3		1-G10
PLUG, CAP-----	1-J10	PROTECTOR 'B' (R), SIDE-----	3-F4	REINF. (L), SIDE SILL-----	3-C8	RING(L) MOUNTING-----	3-F5		1-M9
PLUG, CORNER SEAL-----	1-G4		3-F4		3-I8	RING(R) MOUNTING-----	3-F5		3-C15
PLUG, DRAIN-----	2-E9	PROTECTOR 'C' (L), SIDE-----	3-F4	REINF. (L), STRIKER-----	3-H7		3-I4		3-C4
	3-H9		3-F4	REINF. (L), WHEEL APRON-----	3-M7	RING, 'O'-----	1-C6		3-D4
	4-I3	PROTECTOR 'C' (R), SIDE-----	3-G4	REINF. (LWR), FINISHER-REAR	3-E6		1-C12		3-E7
PLUG, DRAIN-VENT. HOSE-----	2-F9	PROTECTOR 'D' (L), SIDE-----	3-G4	REINF. (R), ROOF RAIL-----	3-M7		1-C14		3-J7
PLUG, HOLE-----	3-H9	PROTECTOR 'D' (R), SIDE-----	3-G4	REINF. (R), A. B. S. -APRON---	3-G7				
	4-I3								
PLUG, HOLE-F. SIDE FRAME---	3-H9								
PLUG, HOLE-HATCH FRAME LOW	4-K3								

ALPHABETICAL INDEX *** ENGLISH ***

RIVET-----	3-M4		SEAL KIT, ST. GEAR-----	2-J5	SHAFT, DRIVE NO. 2-----	4-N8	SPACER-----	2-H9
RIVET, SEAL PLATE-SHROUD--	3-N6	*****	SEAL KIT, VANE PUMP-----	2-M5	SHAFT, DRIVEN GEAR-----	1-G7	SPACER, BONNET STAY-----	2-I9
	3-E7	* S *		2-D6		1-K7	SPACER, BOWEL-----	2-J8
	3-N6	*****	SEAL SET, OIL-----	2-E6	SHAFT, ECCENTRIC-----	1-D4	SPACER, REAR DAMPER-----	2-K9
ROD(R), DOOR LOCK-POWER---	3-G15		SEAL (L), DUST-----	3-J9	SHAFT, ENGY. ABSORBER-----	2-G5	SPACER, WINDOW-----	2-M3
	-114		SEAL (L), RADIATOR-----	1-D8	SHAFT, INPUT-----	1-L11	SPACER, WINDOW-----	2-N3
ROD, CLUTCH PEDAL-----	2-H9		SEAL (R), RADIATOR-----	1-D8	SHAFT, INTERMED.-----	2-G5	SPACER, WINDOW-----	2-M10
ROD, CONTROL-----	1-J10		SEAL (R), RADIATOR-----	1-E13	SHAFT, INTERMEDIATE-----	1-J13	SPACER, WINDOW-----	3-D12
ROD, DIAPHRAGM-----	1-F12		SEAL, 'O' RING-----	1-F12	SHAFT, MAIN-----	1-K9	SPACER, WINDOW-----	3-G13
ROD, MOTOR-----	3-L4			1-G12	SHAFT, MANUAL-----	1-C14	SPACER, WINDOW-----	4-M3
ROD, PARKING-----	1-C14			1-M13	SHAFT, OIL PUMP-----	1-F7	SPACER, WINDOW-----	4-N3
ROD, PUSH-----	2-H9		SEAL, APEX-----	1-G4	SHAFT, OUT PUT-----	1-I7	SPACER, WINDOW-----	1-K11
	2-M8		SEAL, CORNER-----	1-G4		2-E6	SPACER, WINDOW-----	3-H6
ROD, SELECTOR-----	2-I11		SEAL, CUT RING-----	1-C12	SHAFT, PARKING PAWL-----	2-F4	SPACER, WINDOW-----	3-D14
ROD, SHIFT(1ST&2ND)-----	1-I10			1-L11	SHAFT, PINION-----	1-C14	SPACER, WINDOW-----	2-H4
ROD, SHIFT(3RD&4TH)-----	1-I10		SEAL, DUST-BALL JOINT-----	2-J5	SHAFT, PROPELLER-----	1-G11	SPACER, WINDOW-----	4-M3
ROD, SHIFT-OVER TOP & REVE	1-J10			2-N5	SHAFT, PULLEY-----	2-C3	SPACER, WINDOW-----	4-M3
ROD, TRUNK OPENING-----	3-J6		SEAL, DUST-CLUSTER SWITCH-	3-F10	SHAFT, REV. IDLE GEAR-----	1-F8	SPACER, WINDOW-----	4-N3
ROD 'A'-----	3-L4		SEAL, LATHE CUT-----	1-E12	SHAFT, V. P. V. CONTROL-----	1-D10	SPACER, WINDOW-----	4-M3
ROD 'B'-----	3-M4			1-E13	SHEET-----	1-K4	SPACER 'A'-----	4-N3
ROTOR-----	1-F11		SEAL, OIL-----	1-C12	SHEET, BOOT-----	2-F9	SPACER 'C'-----	4-N3
	1-H4			1-D4	SHEET, DAMPER-UPPER-----	3-G11	SPEAKER(L), LOUD-FRONT-----	4-E7
	1-I7			1-E9	SHEET, DAMPER-UPPER-----	2-H4	SPEAKER(L), REAR-----	4-N6
ROTOR SET, OIL PUMP-----	1-H7			1-F3	SHEET, RUBBER-----	2-K6	SPEAKER(L), W/BOX & AMP-----	3-F13
ROTOR, SENSOR-FRT A.B.S.---	2-G6			1-G9	SHEET, SPRING-----	2-H9	SPEAKER(R), LOUD-FRT-----	4-E7
ROTOR, SENSOR-RR A.B.S.---	2-F3			1-H9	SHEET, SPRING-REAR DAMPER-	2-L6	SPEAKER(R), LOUD-RR-----	4-N6
RUBBER(C), CUSHION-BONNET-	3-I6			1-I3	SHELL, CONNECTING-----	2-H4	SPEAKER, DOOR-----	4-E7
RUBBER(C), SEAL-BONNET FRT	3-H6		SEAL, OIL-AXLE-----	1-K3	SHIELD(L), SPLASH-S. FRAME	1-G13	SPEAKER, DOOR-----	4-N6
RUBBER(L), SEAL-SIDE PANEL	3-C11		SEAL, OIL-REAR AXLE-----	1-K11	SHIELD(R), SPLASH-S. FRAME	3-J9	SPEAKER, LOUD-REAR-----	4-C7
RUBBER(R), SEAL-SIDE PANEL	3-C11		SEAL, PISTON-----	1-N3	SHIM, ADJUST-----	1-C10	SPEAKER, LOUD-REAR-----	3-I10
RUBBER, BLADE-FRONT-----	4-N8			2-D4	SHIM, LOWER PANEL FRONT---	1-K9	SPINDLE, ADJUSTER-----	2-H3
RUBBER, BLADE-REAR-----	4-E9			2-E4	SHIM, LOWER PANEL REAR---	1-N9	SPINDLE, SELECT LOCK-----	1-K10
RUBBER, CUSHION-----	3-J6			2-K3	SHIM, LOWER PANEL REAR---	1-E10	SPOILER, REAR-----	4-E13
	3-M4			2-L3	SHIM, HINGE-DOOR-----	3-D14	SPRING-----	4-F13
	4-M11			2-F6	SHIM, LOWER PANEL FRONT---	3-G14	SPRING-----	1-L12
RUBBER, CUSHION-BONNET FRT	3-I6			4-E4	SHIM, LOWER PANEL REAR---	4-E4	SPRING-----	1-C4
RUBBER, CUSHION-BONNET RR	3-I6			4-F4	SHIM, LOWER PANEL REAR---	4-F4	SPRING-----	1-D4
RUBBER, CUSHION-GARNISH---	3-L10			4-E4	SHUTTING(L), SLIDING ROOF-	4-E4	SPRING-----	1-K10
RUBBER, DUST SEAL-----	4-I3			4-E4	SHUTTING(R), SLIDING ROOF-	4-E4	SPRING-----	1-K12
RUBBER, ENGINE MT.-----	2-C8		SEAL, RUBBER-----	1-N4	SILENCER(L), MAIN-----	2-F8	SPRING-----	1-L3
	2-D8			3-F6	SILENCER(R), MAIN-----	2-J8	SPRING-----	1-L10
RUBBER, HANGER-----	2-E8		SEAL, RUBBER-BATTERY BOX--	1-J11		2-F8	SPRING-----	1-L11
	2-I8		SEAL, SIDE-----	1-H4	SILENCER, FLOOR-----	4-J11	SPRING-----	2-M8
RUBBER, INSULATION-----	1-F5		SEAL, SIDE FRAME&BATT. BRKT	3-K9		4-N11	SPRING-----	3-E11
	1-K6		SEAL, WATER-PUMP-----	1-N7	SILENCER, RELIFE-----	1-K6	SPRING SET, THROTTLE BODY--	1-C6
	1-M7		SEAT(L), FRONT-----	3-F13	SKIRT(L), FRONT AIR DAM---	4-E13	SPRING(L), COIL-FRONT-----	2-M6
	1-N4			3-M11	SKIRT(R), FRONT AIR DAM---	4-E13	SPRING(L), LEVER-----	2-H3
RUBBER, MOUNT-----	1-D8		SEAT(R), FRONT-----	3-M11	SLEEVE, BEARING-FRONT-----	1-H11	SPRING(R), COIL-FRONT-----	2-M6
	2-E11			3-F13	SLEEVE, BEARING-REAR-----	1-H11	SPRING(R), LEVER-----	2-H3
	3-E5		SEAT, REGULATOR SPRING---	1-J12	SLEEVE, CLUTCH HUB-----	1-D10	SPRING(R), LEVER-----	2-H3
RUBBER, MOUNT.-DIFF. CASING	2-G4		SENSOR(L), AIR BAG-----	2-F5		1-G10	SPRING, ACCUM. K-R-----	1-M12
	2-N3		SENSOR(L), FRT-A.B.S.---	2-L10		1-L9	SPRING, ACCUM. 1-?-----	1-M12
RUBBER, MOUNT-HYO. UNIT---	2-K10		SENSOR(L), RR-A.B.S.---	2-L10	SLEEVE, GEAR-----	1-N9	SPRING, ADJUST-----	3-I4
RUBBER, MOUNTING-----	1-K5		SENSOR(R), AIR BAG-----	2-E5	SLEEVE, GUIDE-CONTROL HUB--	2-L10	SPRING, APEX SEAL-----	1-G4
	2-I5		SENSOR(R), FRT-A.B.S.---	2-F5	SLEEVE, LOWER ARM-----	2-F3	SPRING, ASH TRAY-----	3-E10
	2-L5		SENSOR(R), RR A. B. S.---	2-L10	SLEEVE, MAIN-FRT CALIPER---	2-I1	SPRING, BACK UP-----	1-C13
	2-L6		SENSOR(L), RR-A.B.S.---	2-E5	SLEEVE, REGULATOR PLUG---	1-J12	SPRING, BALANCE-SHAFT-----	2-G5
RUBBER, MOUNTING-DIFF-----	2-M4		SENSOR(R), AIR BAG-----	2-E5	SLEEVE, SEAL-O.D. CARRIER--	1-I13	SPRING, BALL PARK-----	1-C14
RUBBER, MOUNTING-IG. COIL---	1-N10		SENSOR(R), FRT-A.B.S.---	2-L10	SLEEVE, SPEEDOMETER-----	1-C12	SPRING, BRUSH-----	1-E11
RUBBER, SEAL-----	1-D9		SENSOR(R), RR A. B. S.---	2-L10	SOCKET, AIR BLEED-----	1-H9	SPRING, CENTER PANEL-----	3-C10
	1-I9		SENSOR, AIR BAG-----	2-E5	SOCKET, AIR BLEED-----	3-H10	SPRING, COIL-FRONT-----	2-M6
RUBBER, SEAL-COWL PANEL---	3-I6		SENSOR, AIR BAG-INNER-----	2-F5	SOCKET, BULB-----	3-H10	SPRING, COIL-REAR-----	2-J4
RUBBER, SEAL-INTER COOLER---	1-N4		SENSOR, AIR FLOW-----	1-J5	SOCKET, LICENSE LAMP-----	3-K5	SPRING, CORNER SEAL-----	1-G4
RUBBER, SEAL-RR LOWER ARM---	2-L4		SENSOR, CRANKSHAFT POSI.---	4-C5	SOCKET, RR SIDE TURN LAMP--	3-K5	SPRING, CUSHION-PSTN. STEM-	1-D12
RUBBER, SEALING-----	1-K4		SENSOR, IN. AIR TEMP-----	4-C5	SOCKET, RR. COMB.-----	3-H5	SPRING, DAMPER-----	1-C6
RUBBER, SEAT-BRG HOUSING---	2-F3		SENSOR, M.A.P.-----	4-C5	SOCKET, SIDE TURN-----	3-D5	SPRING, FRT.-INNER-----	1-G4
RUBBER, STAB-FRT-----	2-N6		SENSOR, OIL LEVEL-----	4-N4	SOCKET, STOP LAMP-HI. MOUNT	3-J5	SPRING, FRT.-OUTER-----	1-H4
RUBBER, STOP-----	3-I7		SENSOR, OXYGEN-----	4-N4	SOLENOID, LOCK UP CONTROL--	4-E5	SPRING, GLOVE LID-----	3-N10
RUBBER, STOPPER-----	2-D9		SENSOR, STEERING PRESSURE--	2-D6		1-C10	SPRING, INTERIOR MIRROR---	4-J12
	2-E8		SENSOR, TEMP.-ENG. COOLANT-	4-C5	SOCKET, AIR BLEED-----	1-D10	SPRING, LIFT-----	2-F9
	2-H9		SENSOR, THROTTLE POSITION---	1-E4	SOCKET, AIR BLEED-----	1-E4	SPRING, MODIFIER-----	1-K12
	2-I8		SENSOR, TURN CANCEL-----	4-H5	SOCKET, AIR BLEED-----	1-F8	SPRING, N/D ACCUM-----	1-M12
	2-I9		SENSOR, WATER LEVEL-----	4-N4	SOCKET, AIR BLEED-----	1-G6	SPRING, O.W. VALVE-----	2-M8
	2-K9		SEPARATOR, WARNING UNIT---	3-C10	SOCKET, AIR BLEED-----	1-I9	SPRING, OUTER-APEX SEAL---	1-G4
RUBBER, STOPPER-RR DAMPER-	2-H4		SHADE(L), REAR COMB. LAMP--	3-H5	SOCKET, AIR BLEED-----	1-I10	SPRING, PARKING REVER---	2-N10
RUBBER, SUB FRAME-----	2-M4		SHADE(R), REAR COMB. LAMP--	3-H5	SOCKET, AIR BLEED-----	1-J5	SPRING, PAWL RETURN-----	1-D14
RUBBER, T/MISSION MT.-----	2-C8		SHADE, LAMP-LICENSE-----	3-K5	SOCKET, AIR BLEED-----	2-E8	SPRING, PALLETT-----	1-G7
	2-D8		SHAFT-----	1-H11	SOCKET, AIR BLEED-----	2-E11	SPRING, PISTON-----	1-M13
			SHAFT(L), OUTPUT-----	1-N13	SOCKET, AIR BLEED-----	2-F4	SPRING, PISTON RETURN---	1-D12
			SHAFT, DIFF. PINION-----	2-M3	SOCKET, AIR BLEED-----	2-G4	SPRING, PISTON RETURN---	1-E13
			SHAFT, DRIVE-----	2-D3	SOCKET, AIR BLEED-----			
			SHAFT, DRIVE NO. 1-----	4-N8				

ALPHABETICAL INDEX *** ENGLISH ***

SPRING, PRESSURE-----	1-F7	STRIKER-----	3-N10	*****	TRIM, FORMING BAR-----	4-K9	VALVE, MANUAL-----	1-J12	
SPRING, REAR-INNER-----	1-H4	STRIKER(L), LOCK-TOP-----	4-J4	* * *	TRIM, FRONT HEADER-----	4-J9	VALVE, MODIFIER-----	1-K12	
SPRING, REAR-OUTER-----	1-H4	STRIKER(R), LOCK-TOP-----	4-J4	* * T * *	TRIM, HEAD REST-FRT-----	3-H13	VALVE, NGN RETURN-----	2-E9	
SPRING, REDUCING-----	1-L12	STRIKER, LID-----	3-J6	*****	TRIM, TRUNK END-----	3-I12	VALVE, ONE WAY-----	1-C13	
SPRING, REGULATER-----	1-J12	STRIKER, LOCK-----	4-K3		TRIM, REAR SEAT BACK-----	3-K13	VALVE, ORIFICE CHECK-----	1-K12	
SPRING, RETURN-----	2-D9	STRIKER, RR. SEAT CUSHION-----	3-K13		TRIM, RR SEAT CUSHION-----	3-K13	VALVE, PURGE-----	1-C7	
	2-H9	STRIKER, STORAGE BOX-----	4-C11		TRIM, SLIDING ROOF-----	3-E4	VALVE, REDUCING-----	1-L12	
	2-N10	STRUT, BAND-----	1-D12		TRIM, TOP-----	4-J9	VALVE, REGULATER-----	1-J12	
SPRING, RETURN-BRAKE-----	2-I9	STUD-----	1-C5	T/MISSION CPT.-----	1-K11	TRIM, TRUNK END-----	4-M10	VALVE, SHIFT 3-4-----	1-C13
	2-K9		1-C5	TAB, EARTH-----	4-G7	TUBE NO.1, AIR-----	1-G7	VALVE, SHUTTER-MANIFOLD-----	1-L4
	2-G5		1-M3	TACHOMETER-----	3-I10	TUBE NO.2, AIR-----	1-G7	VALVE, SOL.-AIR BLEED EXTE-----	1-L6
SPRING, RETURN-SHAFT-----	2-G5		1-M4	TACKER-----	3-C14	TUBE NO.3, AIR-----	1-G7	VALVE, SOL.-AIR BLEED SURG-----	1-L6
SPRING, SELECT-----	1-J10		2-I8		3-N13	TUBE NO.4, AIR-----	1-G7	VALVE, SOLENOID-----	1-H6
SPRING, SHIFT ROD-----	1-I10	STUD, CLUTCH HOUSING-----	1-D9	TAG, CAUTION-CHANGE-----	2-H11		1-J7	VALVE, SOLENOID NO1-----	1-N12
SPRING, SHIFT ROD-REVERSE-----	1-I10	STUD, COVER-----	1-C4	TANK SET, RESERVE-----	2-C10		1-J7	VALVE, ST. GEAR-----	2-J5
SPRING, SIDE SEAL-----	1-G4		1-K3		2-M8		1-J7		2-N5
SPRING, SYNCHRO. KEY-----	1-M9	STUD, DIFF. CARRIER-----	2-E4	TANK, FUEL-----	2-E9		1-N6	VALVE, STARTING FLUID-----	1-M5
SPRING, SYNCHRO. KEY-----	1-G10		2-L3	TANK, STARTING FLUID-----	1-M5	TUBE SET, VACUUM-THROTTLE-----	1-D6	VALVE, THERMO-----	1-D6
SPRING, SYNCHRONIZER-----	1-M9	STUD, FRONT COVER-----	1-K3	TANK, SUB-RADIATOR-----	1-E8	TUBE, AIR INLET-----	1-K7	VALVE, THROTTLE-----	1-K12
SPRING, THERMO PELLET-E/S-----	1-D4	STUD, HEX-HYD. UNIT-----	2-K10	TANK, SURGE-----	1-J4	TUBE, CORRUGATE-----	4-E9	VALVE, THROTTLE BACK-UP-----	1-K12
SPRING, THROTTLE BACK-UP-----	1-K12	STUD, HOUSING-----	1-J3	TANK, VANE PUMP-----	2-E6	TUBE, FILLER-----	1-G12	VALVE, THROTTLE RELIEF-----	1-N12
SPRING, THROTTLE RELIEF-----	1-N12		1-M3	TANK, WASHER-----	3-J3	TUBE, METERING OIL-----	1-G7	VALVE, VACUUM DELAY-----	1-E6
SPRING, YOKE-----	2-I5	STUD, ROTOR HOUSING-----	1-E3	TANK, WASHER-FRONT-----	4-K8		1-M7	VALVE, VARIABLE PORT-----	1-K4
	2-L5		1-G3		4-M8		1-K7	VALVE, WATER-----	4-E3
SPRING, 1-2 SHIFT-----	1-J12	SUN VISOR(L)-----	4-E12	TANK, WASHER-REAR-----	4-L8	TUBE, OIL FILTER-UPPER-----	1-G12	VALVE, 1-2 REDUCING-----	1-L12
SPRING, 1/2 REDUCING-----	1-M12		4-F12	TANK, WASHER-RR WIPER-----	4-D9	TUBE, REGULATOR GUIDE-----	3-D15	VALVE, 1-2 SHIFT-----	1-J12
SPRING, 2-3 SHIFT-----	1-J12	SUN VISOR(R)-----	4-I12	TAPE 'A', SEAL-TOP FABRIC-----	4-E9	TUBE, VACUUM-----	1-K5	VALVE, 2-3 SHIFT-----	1-J12
SPRING, 2-3 TIMING-----	1-C13		4-E12	TAPE 'B', SEAL-TOP FABRIC-----	4-H4		1-N6	VALVE, 3-4 SHIFT-CCAST-----	1-C13
SPRING, 3-4 SHIFT-----	1-C13	SUPPORT(L), MOUNTING-----	4-I12	TERMINAL SET-----	4-H4	TUBE, VACUUM-SOL. VALVE-----	1-N6	VALVE, 3-4 SHIFT-CCAST-----	1-C13
SPRING, V, REAR BRAKE-----	2-G3	SUPPORT(R), MOUNTING-----	2-H6	TERMINAL, BACK WINDOW GLAS-----	1-F11	TUBE, VACUUM-TURBO CHARGER-----	1-C5	VALVE, SWAY-----	1-K6
SPROCKET, REGULATOR GUIDE-----	2-C15	SUPPORT, CENTER-----	2-H6	TERMINAL, BACK WINDOW GLAS-----	4-M3	TUNER-----	4-I6	VESSEL (L), CHANNEL-----	3-K6
STABILIZER, FRONT-----	2-K6	SUPPORT, DRUM-----	1-J13	THERMO UNIT-----	1-M5	TUNER & DECK, COMB.-----	4-H6	VESSEL (R), CHANNEL-----	3-J16
STABILIZER, RR-----	2-K6	SUPPORT, FOOT-----	1-G12	THERMOSTAT SET-----	1-C8		4-K6		
STARTER-----	1-G11		4-J11	TIRE-----	2-C7				
STATOR-----	1-E11	SUPPORT, MOUNTING-----	4-N11	TOOL SET-----	4-C12	*****			
STAY(L), DAMPER-----	4-L3	SUPPORTER-----	2-G3	TOWER(L), LOCK-RR END PANE-----	3-C8	* * * * *			
STAY(L), DAMPER-TRUNK LID-----	3-J6	SUPPORTER, ACTUATOR-----	1-C11	TOWER(R), LOCK-RR END PANE-----	3-N7	* * U * *			
STAY(L), FENDER-LOWER-----	3-D7	SUPPORTER, CORD-----	1-G5	TRANSISTOR, POWER-----	4-G3	*****			
	3-M6		1-C14	TRAY (UP.), LOCK HOOK-----	3-J9				
STAY(L), FENDER-UPPER-----	3-D7		1-C11	TRAY, ASH-----	3-E10	UNIT(L), FOG LAMP-----	3-E5	WALL(L), SIDE-----	3-E11
	3-M6	SWITCH(L), LOCK-CYLINDER-----	4-H8	TRAY, BATTERY-----	1-J11	UNIT(L), SIDE TURN-RR-----	3-E5	WALL(R), SIDE-----	3-E11
STAY(L), FRONT BUMPER-----	3-F3		1-D9	TRAY, PACKAGE-----	3-G8	UNIT(R), FOG LAMP-----	3-D5	WASHER-----	1-C14
STAY(L), RR. BUMPER-----	3-H3	SWITCH(R), LOCK-CYLINDER-----	1-I11	TRAY, REAR PACKAGE-----	4-G10	UNIT(R), SIDE TURN-RR-----	3-K5		1-I13
STAY(R), DAMPER-----	4-K3		4-N4	TRIM(C), FRT BACK-----	3-N12	UNIT, A.C. CONTROL-----	4-E6		1-L12
STAY(R), DAMPER-TRUNK LID-----	3-J6	SWITCH, ADJUSTBL DAMPER-----	3-H15	TRIM(L), 'A' PILLAR-----	4-C10	UNIT, BACK UP POWER-A BAG-----	4-M5		2-C8
STAY(R), FENDER-LOWER-----	3-D7		3-N14	TRIM(L), 'B' PILLAR-----	4-D10	UNIT, CENTRAL CONTROL-----	4-M5		2-D4
	3-M6	SWITCH, CLUTCH-----	3-H15	TRIM(L), DOOR-----	3-C16	UNIT, DIAGNOSIS-AIR BAG-----	4-M5		2-D8
STAY(R), FRONT BUMPER-----	3-F3	SWITCH, CLUTCH CUT-----	3-N14		3-D16	UNIT, DOOR LOCK & TIMER-----	4-M5		2-F8
STAY(R), RR. BUMPER-----	3-H3	SWITCH, COMBINATION-----	4-G5		3-E16	UNIT, DRIVE-----	4-O4		2-G8
STAY, BONNET-----	3-H6	SWITCH, CRUISE-----	2-H9	TRIM(L), FRONT SIDE-----	3-J16	UNIT, HEAD LAMP-----	3-I4		2-H4
STAY, DAMPER-----	4-K3	SWITCH, CRUISE-CRUSTER-----	2-J9		3-N15	UNIT, HEAT GAUGE-----	4-C5		2-H8
STAY, LOCK-BONNET-----	3-H6	SWITCH, CRUSTER-----	4-K5	TRIM(L), QUARTER-----	4-H10	UNIT, HEAT GAUGE-----	4-C5		2-J8
STAY, SET PLATE-FASCIA-----	3-C7	SWITCH, DOOR-----	4-I5	TRIM(L), SEAT BACK-----	4-L10	UNIT, OPENER-GLASS HATCH-----	4-J3		2-K3
	3-L6	SWITCH, FOG LAMP-----	4-G6		4-C13	UNIT, WARNING-----	3-D10		2-K8
STEM, PISTON-----	1-E12	SWITCH, GLOVE TRAY-----	4-D5	TRIM(L), QUARTER-----	4-C13				2-L3
STEM, PISTON BAND-----	1-H12	SWITCH, IGNITION-----	3-D3	TRIM(L), QUARTER-----	3-I13	*****			3-F16
STIFFNER(L), REAR SPOILER-----	4-E13	SWITCH, INHIBITOR-----	4-D5	TRIM(L), SEAT BACK-----	3-M12	* * * * *			3-G13
STIFFNER(R), REAR SPOILER-----	4-E13	SWITCH, LEVEL-----	4-M8		3-N12	* * V * *			3-I16
STOPPER SET-----	1-G11	SWITCH, LEVEL-----	3-K10	TRIM(L), SEAT CUSHION-----	3-I13	*****			3-L15
STOPPER(L), GLOVE LID-----	3-M10	SWITCH, LEVEL-WASHER TANK-----	4-N10		3-K12				3-L16
STOPPER(R), GLOVE LID-----	3-M10	SWITCH, LIGHT-BRAKE-----	2-J9	TRIM(L), TRUNK SIDE-----	4-M10				4-C9
STOPPER, CALIPER-RR-----	2-H3	SWITCH, LIGHT-CLUSTER SW.-----	4-J5	TRIM(L), TRUNK SIDE-LOWER-----	4-I10	VACUUM POWER ASS'T-----	2-C10	WASHER SET-----	4-E9
STOPPER, CONSOLE LID-----	3-G11	SWITCH, LIMIT-TOP MOTOR-----	4-I5	TRIM(L), TRUNK SIDE-UPPER-----	4-J10	VALVE(L), SHUTTER-----	2-M9	WASHER(L), STOP-LOWER ARM-----	1-H11
STOPPER, FILLER LID-----	2-E9	SWITCH, LOCK CYLINDER-----	4-K3	TRIM(R), 'A' PILLAR-----	4-C10	VALVE(R), SHUTTER-----	3-F8	WASHER(R), STOP-LOWER ARM-----	2-M4
STOPPER, GLASS-----	3-I14	SWITCH, OIL PRESSURE-----	4-E5	TRIM(R), 'B' PILLAR-----	4-F10		3-E8	WASHER, BALANCE WEIGHT-----	2-C3
	3-I15	SWITCH, OVER DRIVE CONTROL-----	2-H11	TRIM(R), DOOR-----	4-C10	VALVE, AIR-----	3-F8	WASHER, BONNET BURGE-----	3-G6
STOPPER, LOWER ARM-----	2-F3	SWITCH, PARK & NEUTRAL-----	4-N4		4-D10	VALVE, AIR BYPASS-----	2-C7	WASHER, CLAW-----	2-F6
STOPPER, REAR DAMPER-----	2-H4	SWITCH, PARKING LAMP-----	2-C11	TRIM(R), DOOR-----	3-J16	VALVE, AIR CONTROL-----	1-K5	WASHER, CONTACT SPRING-----	4-H5
STOPPER, WHEEL-----	4-C12	SWITCH, POWER WINDOW-----	4-L5		3-L15	VALVE, CHECK-----	1-G6	WASHER, COVER-SPARE TIRE-----	4-K11
STRAINER, INNER-----	1-N12	SWITCH, RMT. MIRROR-----	4-G5	TRIM(R), FRONT SIDE-----	3-M15		1-E6	WASHER, DISHED-----	1-C13
STRAINER, OIL-----	1-F7	SWITCH, SOFT TOP-----	4-G5		3-N15		1-G6		1-H12
	1-J7	SWITCH, THERMO-----	2-E8	TRIM(R), QUARTER-----	4-G10	VALVE, CONTROL-----	1-J5	WASHER, FRONT CLUTCH-----	1-H13
	1-L12		2-I8	TRIM(R), SEAT BACK-----	4-H10	VALVE, CONTROL BACK UP-----	1-M6	WASHER, HINGE-----	3-C12
	1-N12	SWITCH, TURN-CLUSTER SW.-----	4-I5		4-L10	VALVE, DELAY-----	2-F9		3-G13
STRAP, AIR PUMP-----	1-G6	SWITCH, WIPER-CLUSTER SW.-----	4-K5	TRIM(R), QUARTER-----	4-N12	VALVE, DUAL PROPORTIONING-----	3-J3	WASHER, HOOK-HOOD COVER-----	4-K4
STRAP, ALTERNATOR-----	1-D11		4-K5	TRIM(R), SEAT BACK-----	3-H12	VALVE, DUTY SOLENOID-----	1-J12	WASHER, HOOK 'A' & 'B'-----	4-K4
STRAP 'A', CARGO ROOM-----	4-G12		4-I5	TRIM(R), SEAT CUSHION-----	3-H13	VALVE, IDLE AIR CONTROL-----	1-C7	WASHER, HORN CAP-----	2-M4
STRAP 'A', L/CPMT-----	4-J12		4-I5		3-E12			WASHER, HYD. UNIT-----	2-K10
STRAP 'B', CARGO ROOM-----	4-G12		4-I5	TRIM(R), TRUNK SIDE-----	3-F12			WASHER, LOCK-----	2-I8
STRAP 'B', L/CPMT-----	4-J12		4-I5	TRIM(R), TRUNK SIDE-LOWER-----	3-H13			WASHER, LOCK-PUMP FILTER-----	1-F5
STRIKER-----	3-C15		4-K5	TRIM(R), TRUNK SIDE-UPPER-----	4-L10			WASHER, LOWER UNIT-S/ROOF-----	4-F4
	3-H15				4-I10			WASHER, MOUNT RUBBER-DIFF-----	2-M4
					4-J10			WASHER, PLAIN-----	1-D12

